

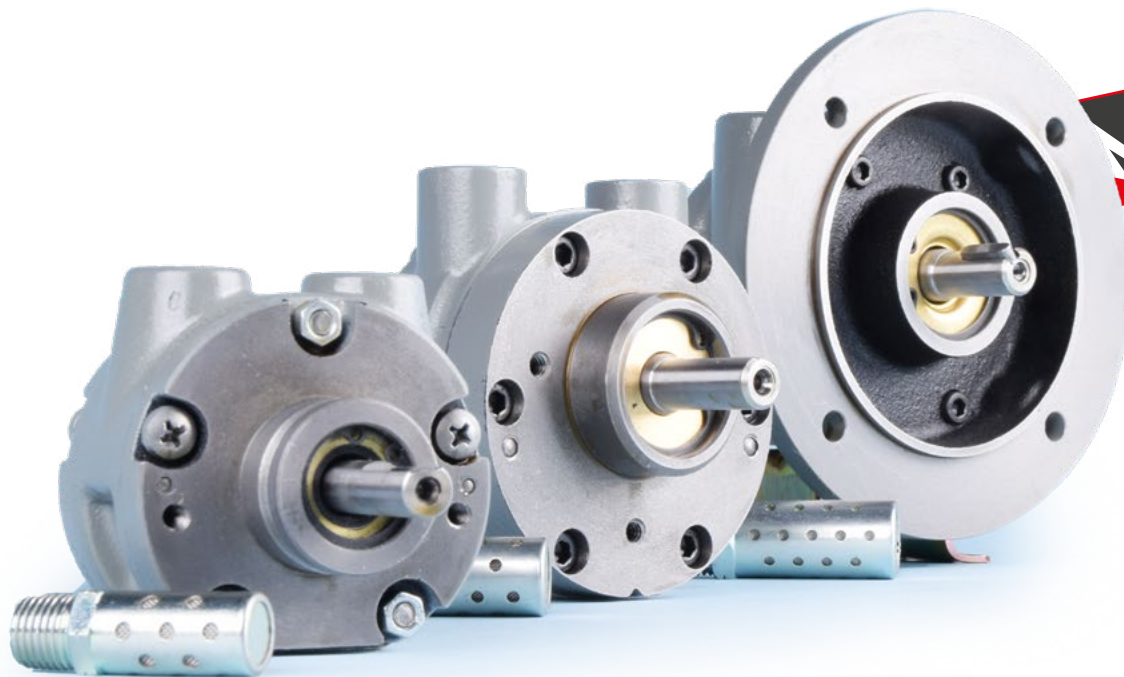


GLOBE AIRMOTORS B.V.

GLOBE Airmotors | Boerhaaveweg 9-11 | NL - 2408 AD Alphen a/d Rijn | Tel +31 172 426 608 | info@globe-benelux.nl

Specifications: VA6J&X-NL | VS6C-NL | VA6C-NL

Vane Air Motor Non Lubricated




Order your

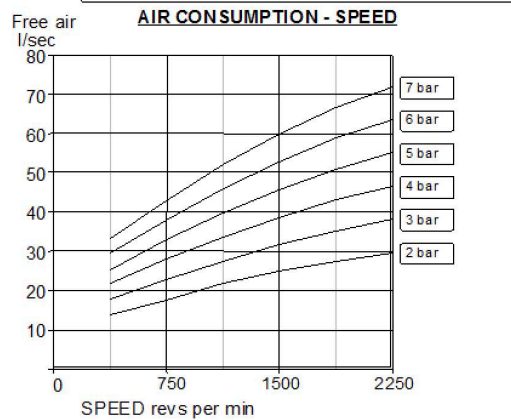
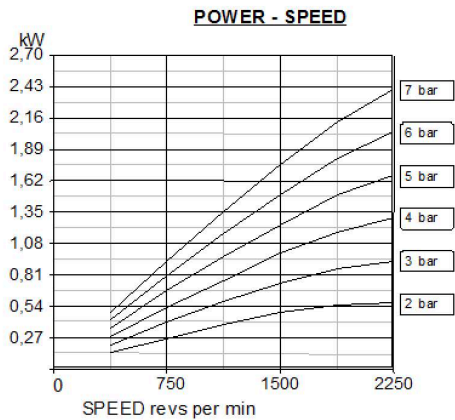
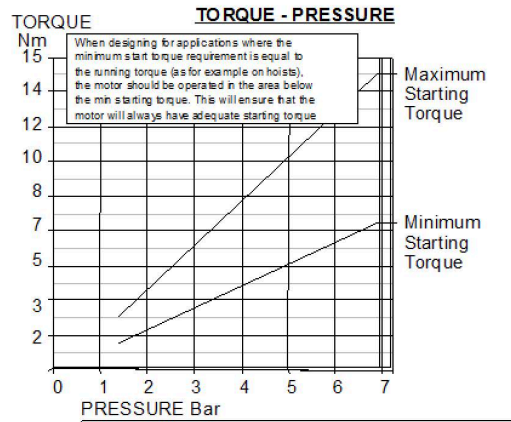
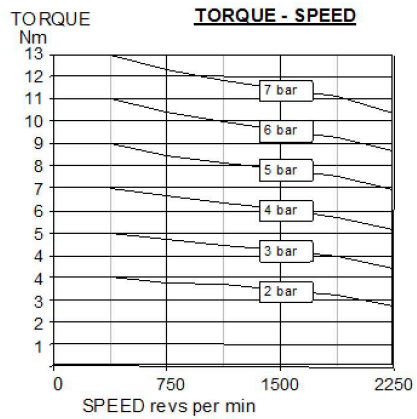
VANE AIR MOTOR:

info@globe-benelux.nl

Contents

Performance	2
Main dimensions VA6J&X-NL	2
Main dimensions VS6C-NL	3
Main dimensions VA6C-NL	3

CE  II 2G Ex h IIC T4 Gb
II 2D Ex h IIIC T135°C Db
Ta = - 20° + 60°C



- » Silencer supplied with motor.
- » Motor is reversible.
- » Maximum temperature -20°C to +60°C (-4°F to +140°F).

Air quality and filtration:

Use 5 micron filtration. The air has to be dry to prevent corrosion inside the motor when it is

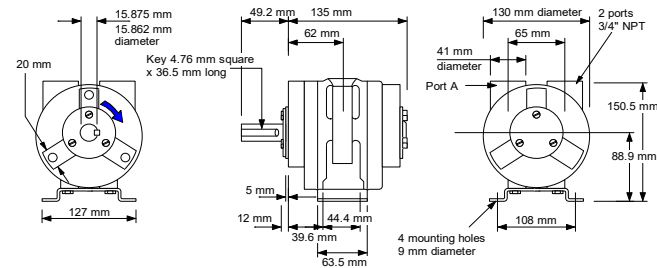
not in use. Advisable is to use an air dryer with set point of 20 degrees Celsius below lowest ambient temperature.

Maximum speed 2250 rpm

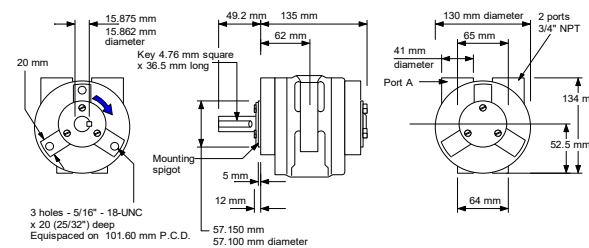
Life time depends highly on operational speed and air pressure. We advice for continuous operations a maximum speed of 1750 RPM.

Main dimensions VA6J&X-NL

VA6J-NL



VA6X-NL



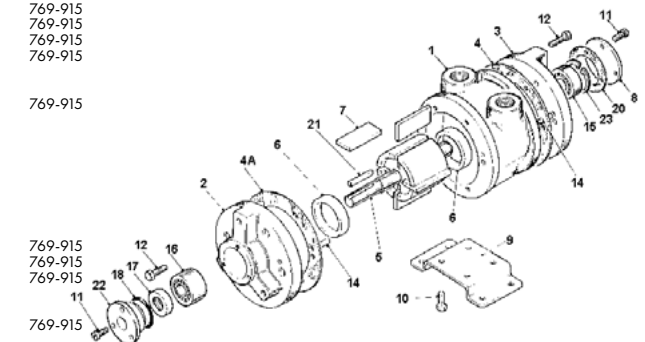
- » Maximum temperature -20°C to +60°C (-4°F to +140°F)
- » Silencer supplied with motor
- » Max. Overhung Force on shaft 300 N (70 lbf.)
- » Axial loads should be kept to a minimum
- » Mass 7.6 kg

Note: With air inlet at port 'A', rotation is clockwise looking on shaft.

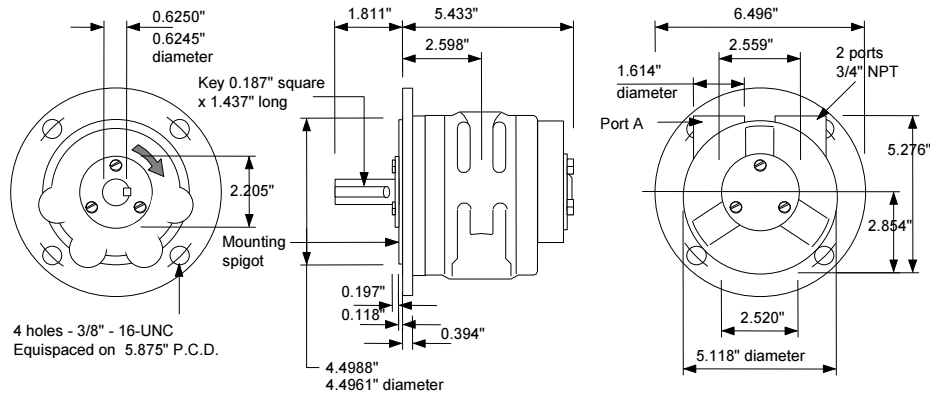
For opposite rotation reverse ports.

Exploded view with spare parts list

Item	Part No.	Description	Qty	Kit No.
01	760-001	NPT Body	1	
02	760-003	Front Plate	1	
03	760-002	End Plate	1	
04	-	Gasket	2	769-915
04 A-1	-	Gasket	1	769-915
04 A-2	-	Gasket	1	769-915
04 A-3	-	Gasket	1	769-915
05	760-911	Rotor Shaft Assy	1	
06	760-006	Ejection Ring	2	
07	-	Blades	4	769-915
08	760-008	Cover Plate	1	
09	760-023	Foot	1	
10	802-012	Screw	4	
11	805-006	Screw	6	
12	809-009	Cap Screw	12	
14	806-024	Dowel	4	
15	807-025	Bearing	1	
16	807-028	Bearing	1	
17	-	Oil Seal	1	769-915
18	-	O Ring	1	769-915
20	-	Gasket	1	769-915
21	811-020	Key	1	
22	760-007	Seal Housing	1	
23	-	Circlip	1	769-915
	769-915	V6 Seal Kit		
	820-004	Silencer 3/4"	1	



Main dimensions VA6C-NL

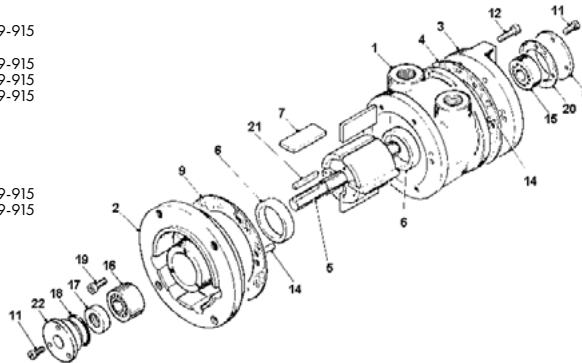


- » Maximum temperature -20°C to +60°C (-4°F to +140°F)
- » Axial loads should be kept to a minimum
- » Silencer supplied with motor
- » Mass 10 kg
- » Max. Overhung Force on shaft 300 N (70 lbf.)

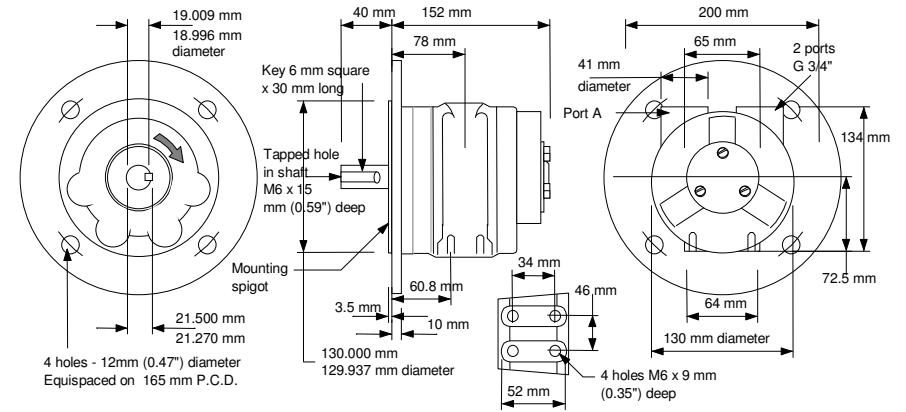
Note: With air inlet at port 'A', rotation is clockwise looking on shaft.
For opposite rotation reverse ports.

Exploded view with spare parts list

Item	Part No.	Description	Qty	Kit No.
01	760-001	NPT Body	1	
02	760-018	Front Plate NEMA 56C	1	
03	760-002	End Plate	1	
04	-	Gasket	2	769-915
05	760-910	Rotor Shaft Assy	1	
06	760-006	Ejection Ring	2	
07	-	Blades	4	769-915
08	760-008	Cover Plate	1	
09-1	-	Gasket	1	769-915
09-2	-	Gasket	1	769-915
09-3	-	Gasket	1	769-915
11	805-006	Screw	6	
12	809-009	Cap Screw	6	
14	806-024	Dowel	4	
15	807-028	Bearing	1	
16	807-025	Bearing	1	
17	-	Oil Seal	1	769-915
18	-	O Ring	1	769-915
19	809-007	Capscrew	6	
20	-	Gasket	1	
21	811-020	Key	1	
22	760-017	Seal Housing	1	
	769-915	V6 Seal Kit		
	820-005	Silencer 3/4"	1	



Main dimensions VS6C-NL



- » Maximum temperature -20°C to +60°C (-4°F to +140°F)
- » Axial loads should be kept to a minimum
- » Silencer supplied with motor
- » Mass 10 kg
- » Max. Overhung Force on shaft 300 N (70 lbf.)

Note: With air inlet at port 'A', rotation is clockwise looking on shaft.
For opposite rotation reverse ports.

Exploded view with spare parts list

Item	Part No.	Description	Qty	Kit No.
01	760-101	BSP Body	1	
02	760-036	Front Plate D80	1	
03	760-002	End Plate	1	
04	-	Gasket	2	769-915
05	760-921	Rotor Shaft Assy	1	
06	760-006	Ejection Ring	2	
07	-	Blades	4	769-915
08	760-008	Cover Plate	1	
09-1	-	Gasket	1	769-915
09-2	-	Gasket	1	769-915
09-3	-	Gasket	1	769-915
11	805-006	Screw	6	
12	809-009	Cap Screw	6	
14	806-024	Dowel	4	
15	807-025	Bearing	1	
16	807-026	Bearing	1	
17	-	Oil Seal	1	769-915
18	-	O Ring	1	769-915
19	809-007	Capscrew	6	
20	-	Gasket	1	769-915
21	811-001	Key	1	
22	780-007	Seal Housing	1	
	769-915	V6 Seal Kit		
	820-004	Silencer 3/4"	1	

