



GLOBE AIRMOTORS B.V.

GLOBE Airmotors | Boerhaaveweg 9-11 | NL - 2408 AD Alphen a/d Rijn | Tel +31 172 426 608 | info@globe-benelux.nl

Specifications: VA1X

Vane Air Motor




Order your

VANE AIR MOTOR:

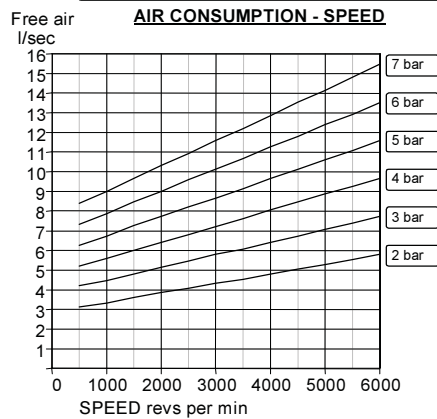
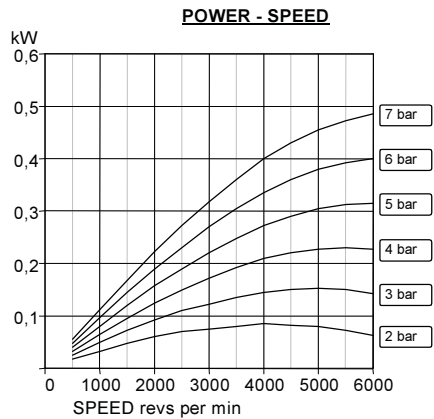
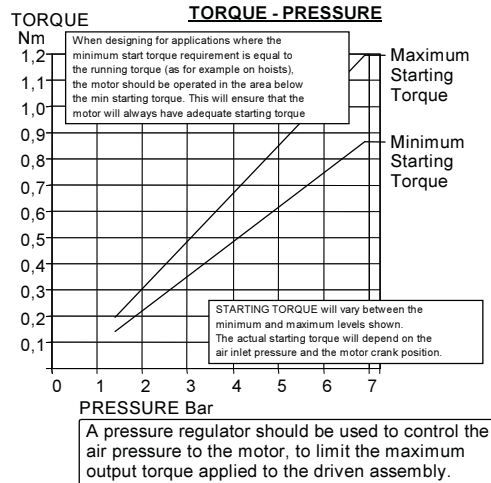
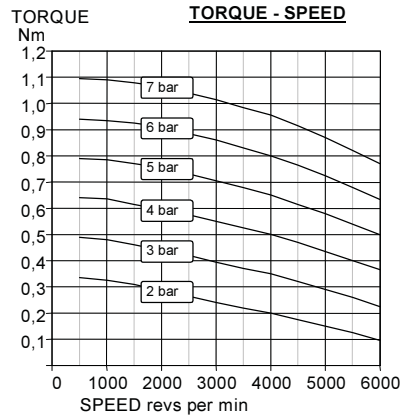
info@globe-benelux.nl

Contents

Performance	2
Main dimensions VA1X	2

CE  II 2G Ex h IIC T4 Gb
II 2D Ex h IIIC T135°C Db
Ta = - 20° + 60°C

Performance VA1X



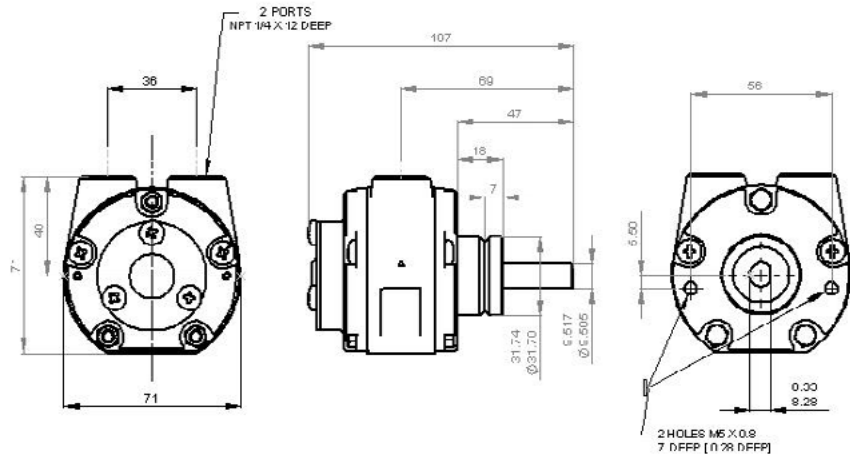
- » Silencer supplied with motor.
- » Motor is reversible.
- » Maximum temperature ATEX -20°C to +60°C (-4°F to +140°F).
- » Maximum temperature for non ATEX applications: -20°C to +80°C (-4°F to +176°F).

Air supply lubrication and filtration:
Use 64 micron filtration or better. Choose a

lubricator suitable for the flow required. Prior to initial startup, inject oil into the inlet port. Lubricator drop rate 2-3 drop / minute continuous operations
Lubricator drop rate 4-6 drop / minute intermittent operation.

Maximum speed 6000 rpm
Life time depends highly on operational speed and air pressure.

Main dimensions VA1X



- » Maximum temperature -20°C to +60°C (-4°F to +140°F)
- » Axial loads should be kept to a minimum
- » Silencer supplied with motor
- » Mass 1.1 kg
- » Max. Overhung Force on shaft 18 N (4.0 lbf.)

**Note: With air inlet at port 'A', rotation is clockwise looking on shaft.
For opposite rotation reverse ports.**

Exploded view with spare parts list

Item	Part No.	Description	Qty	Kit No.
01	710-001	NPT Body	1	
02	710-003	Front Plate	1	
11	710-002	End Plate	1	
04	-	Gasket	2	719-910
04 A-1	-	Gasket	1	719-910
04 A-2	-	Gasket	1	719-910
04 A-3	-	Gasket	1	719-910
05	710-911	Rotor Shaft Assy	1	
06	710-006	Ejection Ring	2	
07	-	Blades	4	719-910
08	710-008	Cover Plate	1	
09	805-050	Screw	7	
11	-	Circlip	1	719-910
12	806-009	Dowel	4	719-910
13	807-053	Bearing	3	
14	-	Oil Seal	1	719-910
15	-	Gasket	1	719-910
17	802-700	Screw	3	
18	801-700	Nut	3	
	719-910	V1 Seal Kit		
	820-002	Silencer 1/4"	1	

