



GLOBE AIRMOTORS B.V.

GLOBE Airmotors | Boerhaaveweg 9-11 | NL - 2408 AD Alphen a/d Rijn | Tel +31 172 426 608 | info@globe-benelux.nl

Specifications: VA10J&X | VS10C | VA10C
Vane Air Motor




Order your

VANE AIR MOTOR:

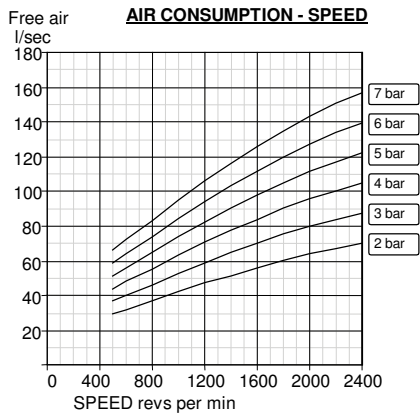
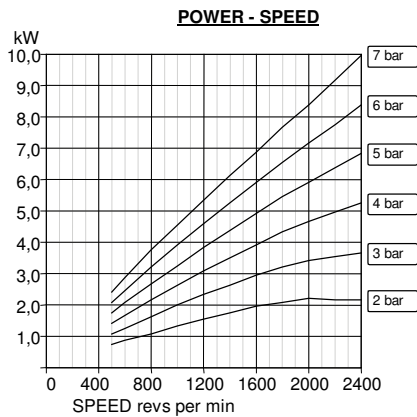
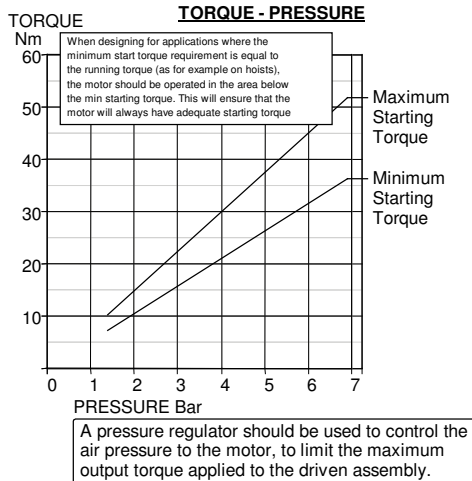
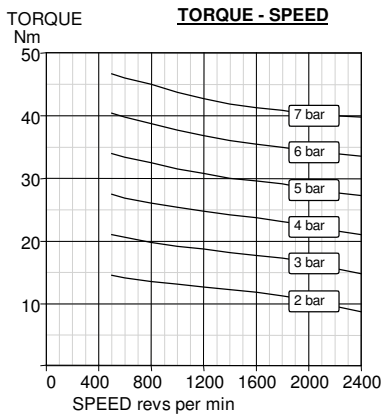
info@globe-benelux.nl

Contents

Performance	2
Main dimensions VA10J&X	2
Main dimensions VS10C	3
Main dimensions VA10C	3

CE  II 2G Ex h IIC T4 Gb
II 2D Ex h IIIIC T135°C Db
Ta = - 20° + 60°C

Performance VA10J&X | VS10C | VA10C



- » Silencer supplied with motor.
- » Motor is reversible.
- » Maximum temperature ATEX -20°C to +60°C (-4°F to +140°F).
- » Maximum temperature for non ATEX applications: -20°C to +80°C (-4°F to +176°F).

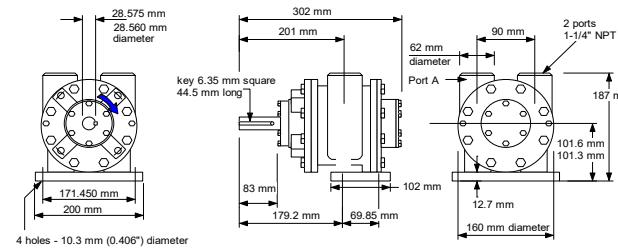
Air supply lubrication and filtration:
Use 64 micron filtration or better. Choose a

lubricator suitable for the flow required. Prior to initial startup, inject oil into the inlet port. Lubricator drop rate 7-8 drop / minute continuous operations
Lubricator drop rate 14-16 drop / minute intermittent operation.

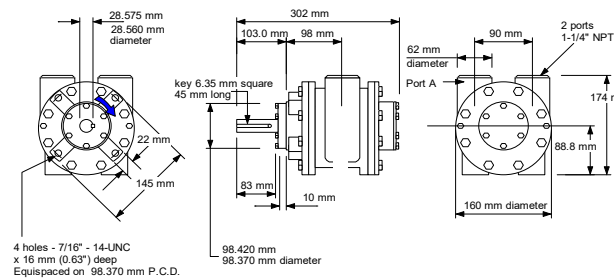
Maximum speed 2400 rpm
Life time depends highly on operational speed and air pressure.

Main dimensions VA10J&X

VA10J



VA10X

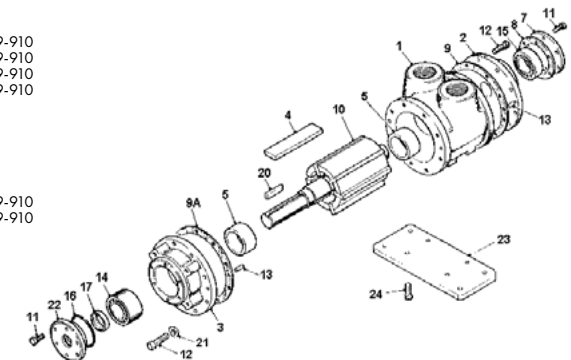


Note: With air inlet at port 'A', rotation is clockwise looking on shaft. For opposite rotation reverse ports.

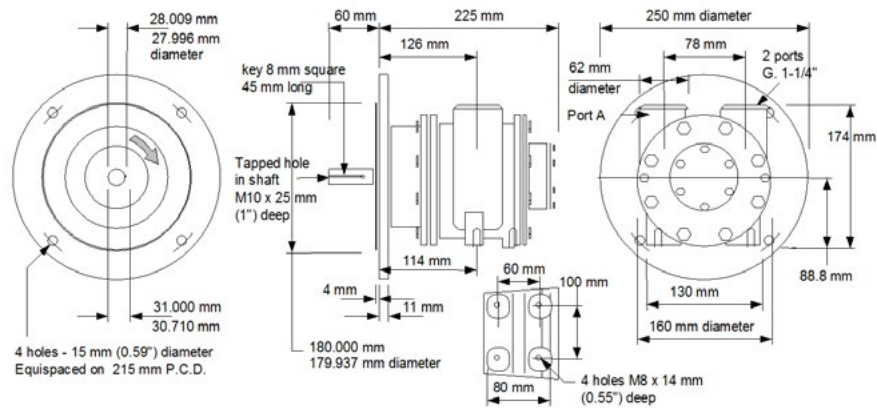
- » Maximum temperature -20°C to +60°C (-4°F to +140°F)
- » Silencer supplied with motor
- » Max. Overhung Force on shaft 1750 N (400 lbf.)
- » Axial loads should be kept to a minimum
- » Mass 22 kg

Exploded view with spare parts list

Item	Part No.	Description	Qty	Kit No.
01	790-001	NPT Body	1	
02	790-003	Front Plate	1	
03	790-002	End Plate	1	
04	-	Blades	6	799-910
05	790-006	Ejection Ring	2	
07	790-008	Cover Plate	1	
08	-	Gasket	2	799-910
09 A-1	-	Gasket	2	799-910
09 A-2	-	Gasket	2	799-910
09 A-3	-	Gasket	2	799-910
10	790-911	Rotor Shaft Assy	1	
11	802-007	Screw	12	
12	802-033	Screw	16	
13	806-024	Dowel	4	
14	807-037	Bearing	1	
15	807-019	Bearing	1	
16	-	O Ring	2	799-910
17	-	Oil Seal	1	799-910
20	811-024	Key	1	
21	803-019	Washer	16	
22	790-007	Seal Housing	1	
23	790-015	Base Plate	1	
24	809-008	Capscrew	4	
	799-910	V10 Seal Kit		
	820-007	Silencer 1 1/4"	1	



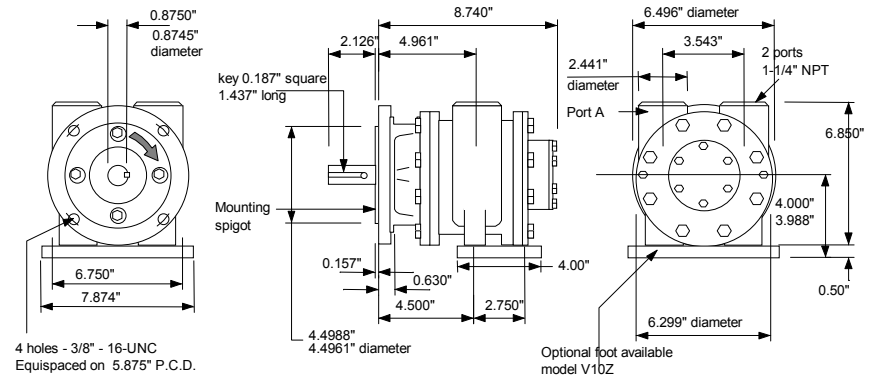
Main dimensions VS10C



- » Maximum temperature -20°C to +60°C (-4°F to +140°F)
- » Silencer supplied with motor
- » Max. Overhung Force on shaft 1750 N (400 lbf.)
- » Axial loads should be kept to a minimum
- » Mass 27 kg

**Note: With air inlet at port 'A', rotation is clockwise looking on shaft.
For opposite rotation reverse ports.**

Main dimensions VA10C

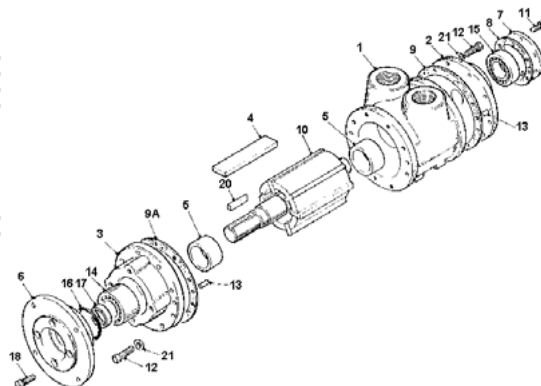


- » Maximum temperature -20°C to +60°C (-4°F to +140°F)
- » Silencer supplied with motor
- » Max. Overhung Force on shaft 1750 N (400 lbf.)
- » Axial loads should be kept to a minimum
- » Mass 24 kg

**Note: With air inlet at port 'A', rotation is clockwise looking on shaft.
For opposite rotation reverse ports.**

Exploded view with spare parts list

Item	Part No.	Description	Qty	Kit No.
01	790-101	BSP Body	1	
02	790-002	End Plate	1	
03	790-026	Front Cover	1	
04	-	Blades	6	799-910
05	790-006	Ejection Ring	2	
06	790-036	Flange D100	1	
07	790-008	Cover Plate	1	
08	-	Gasket	2	799-910
09-A1	-	Gasket	1	799-910
09-A2	-	Gasket	1	799-910
09-A3	-	Gasket	1	799-910
10	790-923	Rotor Shaft Assy	1	
11	802-007	Screw	6	
12	802-033	Screw	16	
13	806-018	Dowel	4	
14	807-037	Bearing	1	
15	807-019	Bearing	1	
16	-	O Ring	1	799-910
17	-	Oil Seal	1	799-910
18	809-019	Cap screw	4	
20	811-033	Key	1	
21	803-019	Washer	16	
	799-910	V10 Seal Kit		
	820-007	Silencer 1 1/4"	1	



Exploded view with spare parts list

Item	Part No.	Description	Qty	Kit No.
01	790-001	NPT Body	1	
02	790-002	End Plate	1	
04	-	Blades	4	799-910
05	790-006	Ejection Ring	2	
06	790-018	Flange NEMA 145TC	1	
08	-	Gasket	1	799-910
09	-	Gasket	2	799-910
09-A1	-	Gasket	1	799-910
09-A2	-	Gasket	1	799-910
09-A3	-	Gasket	1	799-910
10	790-910	Rotor Shaft Assy	1	
11	802-001	Screw	6	
12	802-033	Screw	16	
13	806-018	Dowel	4	
14	807-037	Bearing	1	
15	807-019	Bearing	1	
16	-	O Ring	1	799-910
17	-	Oil Seal	1	799-910
18	809-019	Cap Screw	4	
19	790-026	Front Cover SAE	1	
20	811-020	Key	1	
21	803-019	Washer	16	
	799-910	V10 Seal Kit		
	820-007	Silencer 1 1/4"	1	

