



**GLOBE** AIRMOTORS B.V.

GLOBE Airmotors | Boerhaaveweg 9-11 | NL - 2408 AD Alphen a/d Rijn | Tel +31 172 426 608 | info@globe-benelux.nl

## Specifications: VS12C | VA12C

Vane Air Motor




Order your

**VANE AIR MOTOR:**

[info@globe-benelux.nl](mailto:info@globe-benelux.nl)

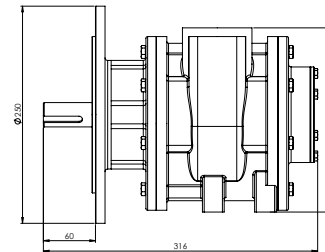
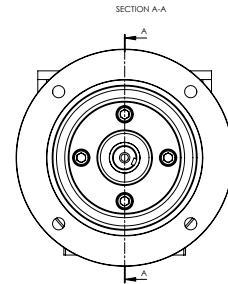
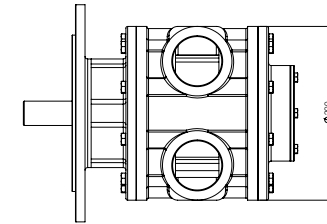
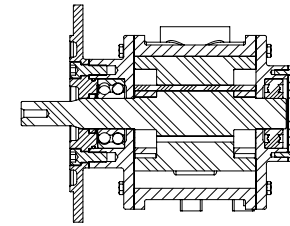
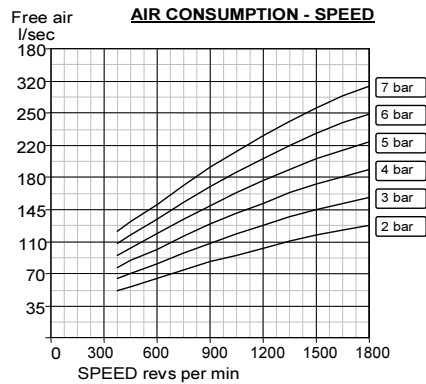
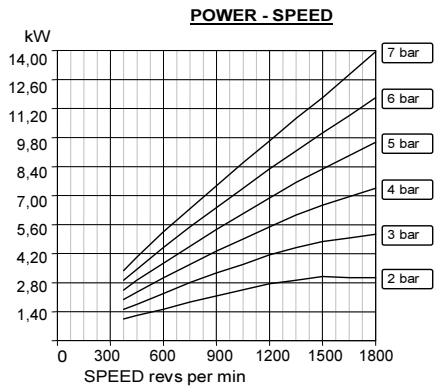
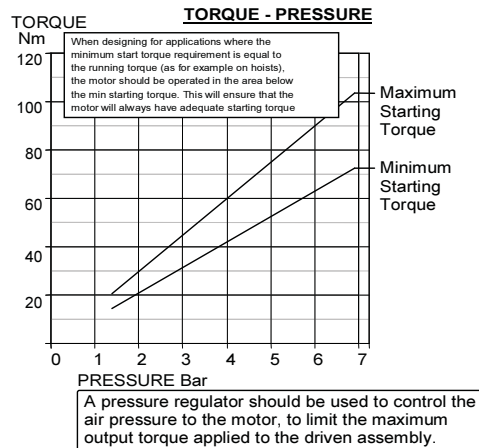
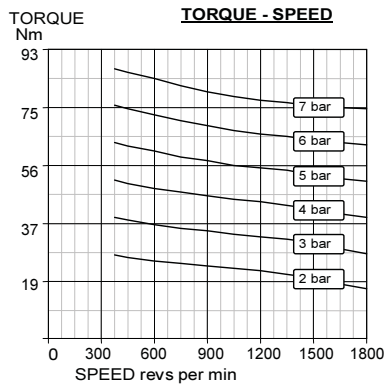
### Contents

Performance	2
Main dimensions VS12C	2
Main dimensions VA12C	3

CE  II 2G Ex h IIC T4 Gb  
II 2D Ex h IIIC T135°C Db  
Ta = - 20° + 60°C

# Performance VS12C | VA12C

# Main dimensions VS12C

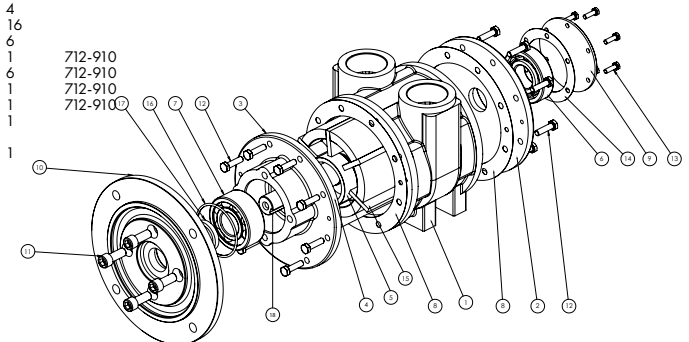


- » Maximum temperature -20°C to +60°C (-4°F to +140°F)
- » Silencer supplied with motor
- » Max. Overhung Force on shaft 400 N (90 lbf.)
- » Axial loads should be kept to a minimum

Note: With air inlet at port 'A', rotation is clockwise looking on shaft.  
For opposite rotation reverse ports.

## Exploded view with spare parts list

Item	Part No.	Description	Qty	Kit No.
01	712-101	BSP Body	1	
02	712-002	End Plate	1	
03	712-026	Front Cover	1	
04	712-923	Rotor Shaft Assy	1	
05	712-006	Ejection Ring	2	
06	807-029	Bearing	1	
07	807-039	Bearing	1	
08	-	Gasket	2	712-910
08-A1	-	Gasket	1	712-910
08-A2	-	Gasket	1	712-910
08-A3	-	Gasket	1	712-910
09	712-008	Cover Plate	1	
10	712-036	Flange D100	1	
11	809-019	Screw	4	
12	802-034	Screw	16	
13	802-011	Screw	6	
14	-	Cover Gasket	1	712-910
15	-	Blades	6	712-910
16	-	O Ring	1	712-910
17	-	Oil Seal	1	712-910
18	811-033	Key	1	
	712-910	V12 Seal Kit		
	820-010	Silencer 2"	1	



- » Silencer supplied with motor.
- » Motor is reversible.
- » Maximum temperature ATEX -20°C to +60°C (-4°F to +140°F).
- » Maximum temperature for non ATEX applications: -20°C to +80°C (-4°F to +176°F).

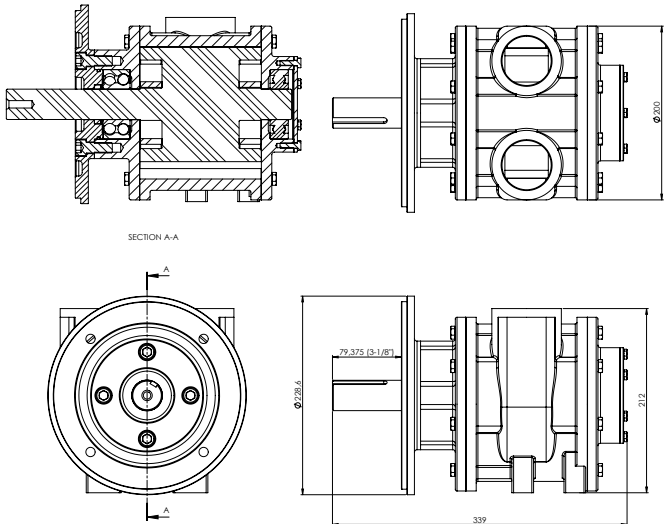
lubricator suitable for the flow required. Prior to initial startup, inject oil into the inlet port.  
Lubricator drop rate 12-14 drop / minute continuous operations  
Lubricator drop rate 18-20 drop / minute intermittent operation.

### Maximum speed 1800 rpm

Life time depends highly on operational speed and air pressure.

**Air supply lubrication and filtration:**  
Use 64 micron filtration or better. Choose a

# Main dimensions VA12C

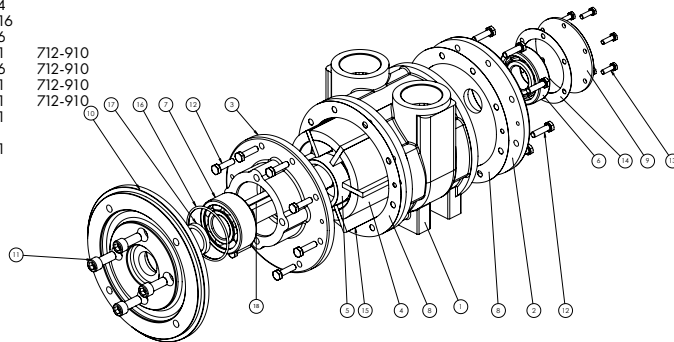


Note: With air inlet at port 'A', rotation is clockwise looking on shaft.  
For opposite rotation reverse ports.

- » Maximum temperature -20°C to +60°C (-4°F to +140°F)
- » Silencer supplied with motor
- » Max. Overhung Force on shaft 400 N (90 lbf.)
- » Axial loads should be kept to a minimum

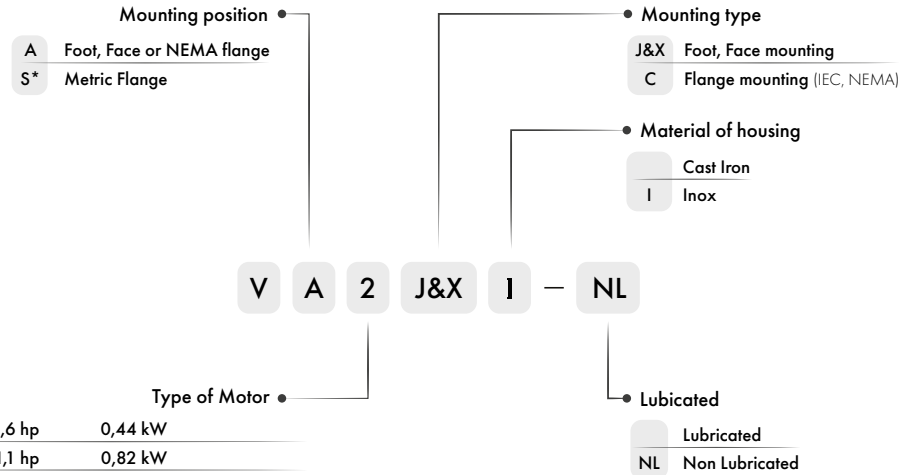
## Exploded view with spare parts list

Item	Part No.	Description	Qty	Kit No.
01	712-001	NPT Body	1	
02	712-002	End Plate	1	
03	712-026	Front Cover	1	
04	712-910	Rotor	1	
05	712-006	Ejection Ring	2	
06	807-029	Bearing	1	
07	807-039	Bearing	1	
08	-	Gasket	2	712-910
08-A1	-	Gasket	1	712-910
08-A2	-	Gasket	1	712-910
08-A3	-	Gasket	1	712-910
09	712-008	Cover plate	1	
10	712-018	Flange NEMA 145TC	1	
11	809-019	Screw	4	
12	802-034	Screw	16	
13	802-011	Screw	6	
14	-	Cover Gasket	1	712-910
15	-	Blades	6	712-910
16	-	O Ring	1	712-910
17	-	Oil Seal	1	712-910
18	811-026	Key	1	
	712-910	V12 Seal Kit		
	820-010	Silencer 2"	1	



## Ordering Codes Vane Air Motor

Select easily with the ordering code your version and order it at our sales team. Do you have special wishes? For example ATEX Certified, oil free, different mountings, gearboxes, brakes etc. You name it and we make it possible. Contact us for your wishes and we will be happy to engineer a proposal to suit your requirements.



Type of Motor	hp	kW
1	0,6 hp	0,44 kW
2	1,1 hp	0,82 kW
4	2,8 hp	2,1 kW
6	4,6 hp	3,4 kW
8	7,2 hp	5,4 kW
10	12,8 hp	9,5 kW
12	19,1 hp	14 kW (only flange models)

All our Vane Air Motors are delivered with the ATEX Certificate:

CE Ex II 2G Ex h IIC T4 Gb  
II 2D Ex h III C T135°C Db  
Ta = -20° + 60°C

\* The VS types are only available with mouting type C (for example VS8C).

Order your  
**VANE AIR MOTOR:**  
info@globe-benelux.nl