

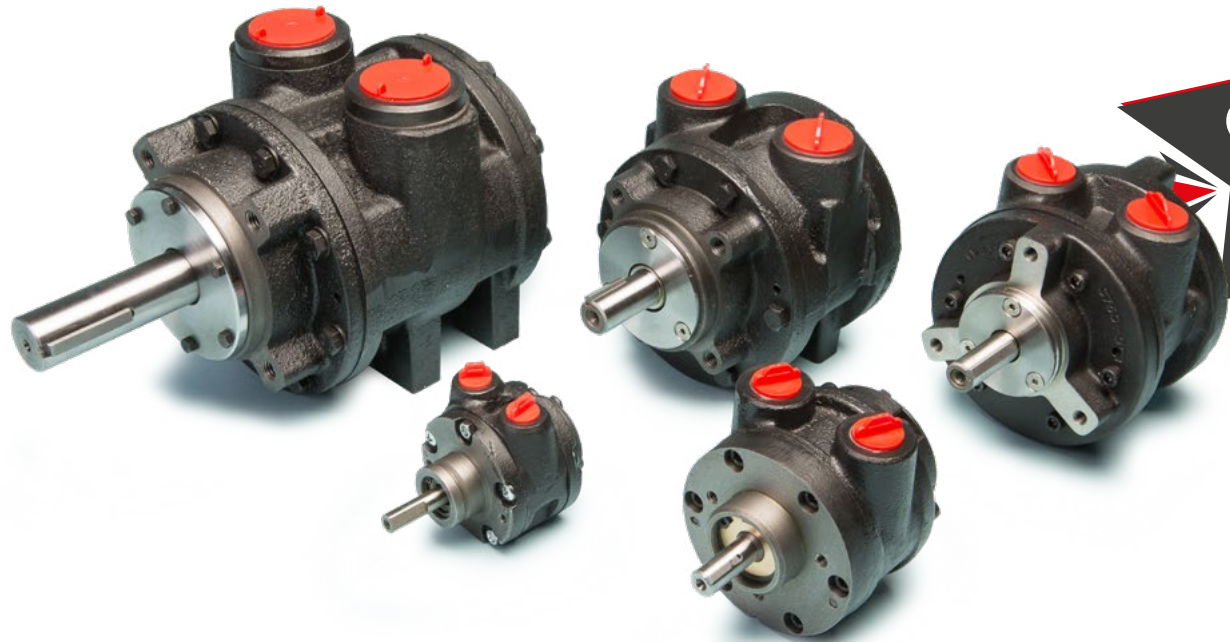


**GLOBE** AIRMOTORS B.V.

GLOBE Airmotors | Boerhaaveweg 9-11 | NL - 2408 AD Alphen a/d Rijn | Tel +31 172 426 608 | info@globe-benelux.nl

## Specifications: VA2J&X | VS2C | VA2C

Vane Air Motor




Order your

**VANE AIR MOTOR:**

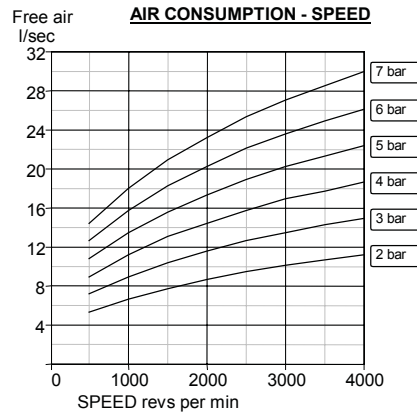
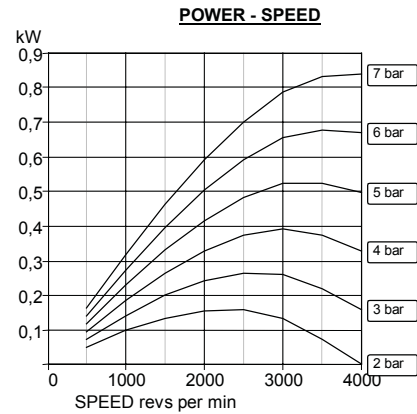
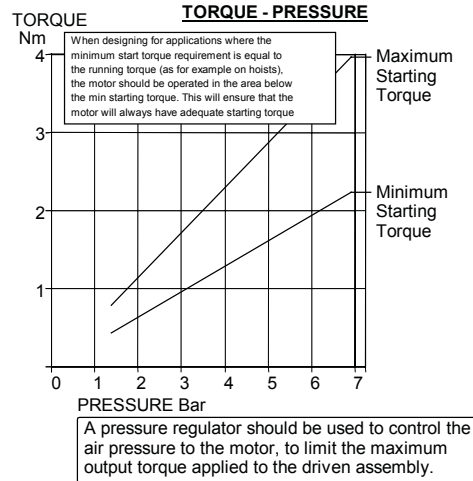
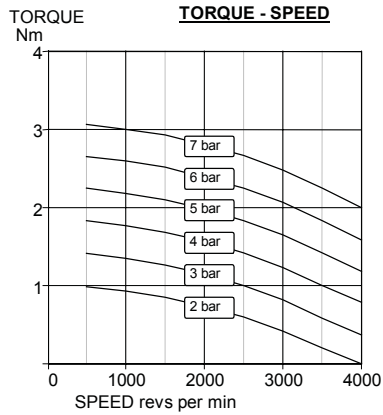
[info@globe-benelux.nl](mailto:info@globe-benelux.nl)

### Contents

Performance	2
Main dimensions VA2J&X	2
Main dimensions VS2C	3
Main dimensions VA2C	3

CE  II 2G Ex h IIC T4 Gb  
II 2D Ex h IIIIC T135°C Db  
Ta = - 20° + 60°C

# Performance VA2J&X | VS2C | VA2C



- » Silencer supplied with motor.
- » Motor is reversible.
- » Maximum temperature ATEX -20°C to +60°C (-4°F to +140°F).
- » Maximum temperature for non ATEX applications: -20°C to +80°C (-4°F to +176°F).

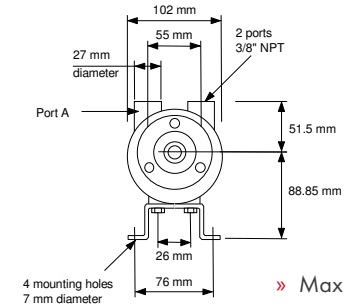
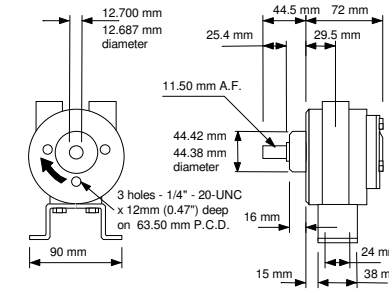
**Air supply lubrication and filtration:**  
Use 64 micron filtration or better. Choose a

lubricator suitable for the flow required. Prior to initial startup, inject oil into the inlet port. Lubricator drop rate 3-4 drop / minute continuous operations  
Lubricator drop rate 6-8 drop / minute intermittent operation.

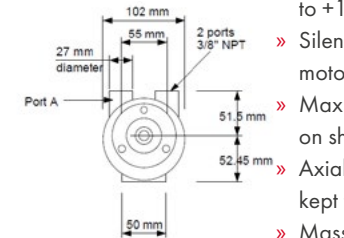
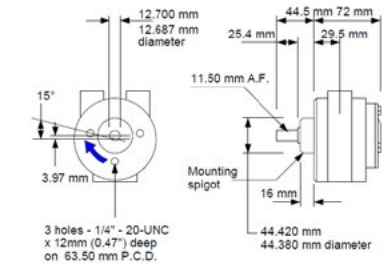
**Maximum speed 4000 rpm**  
Life time depends highly on operational speed and air pressure.

# Main dimensions VA2J&X

## VA2J



## VA2X

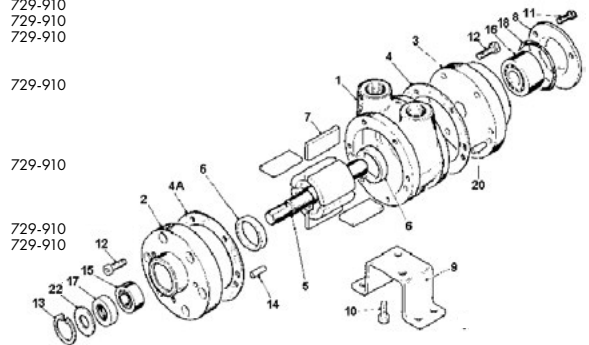


- » Maximum temperature -20°C to +60°C (-4°F to +140°F)
- » Silencer supplied with motor
- » Max. Overhung Force on shaft 400 N (90 lbf.)
- » Axial loads should be kept to a minimum
- » Mass 3.30 kg

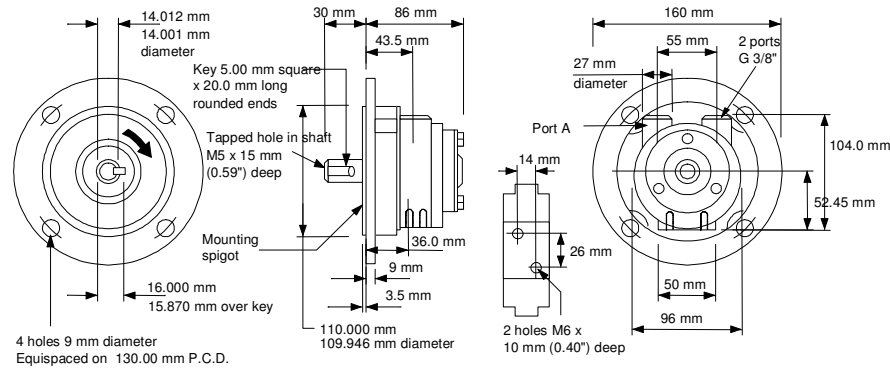
**Note: With air inlet at port 'A', rotation is clockwise looking on shaft.  
For opposite rotation reverse ports.**

# Exploded view with spare parts list

Item	Part No.	Description	Qty	Kit No.
01	720-001	NPT Body	1	
02	740-003	Front Plate	1	
03	740-002	End Plate	1	
04	-	Gasket	2	729-910
04 A-1	-	Gasket	1	729-910
04 A-2	-	Gasket	1	729-910
04 A-3	-	Gasket	1	729-910
05	720-911	Rotor Shaft Assy	1	
06	720-006	Ejection Ring	2	
07	-	Blades	4	729-910
08	740-008	Cover Plate	1	
09	720-023	Foot	1	
11	802-011	Screw	3	
12	809-007	Cap Screw	12	
13	-	Circlip	1	729-910
14	806-024	Dowel	4	
15	807-027	Bearing	1	
16	807-028	Bearing	1	
17	-	Oil Seal	1	729-910
18	-	O Ring	1	729-910
20	806-032	Dowel	1	
	740-100	Seal Backing Ring	1	
	729-910	V2 Seal Kit	1	
	820-003	Silencer 3/8"	1	



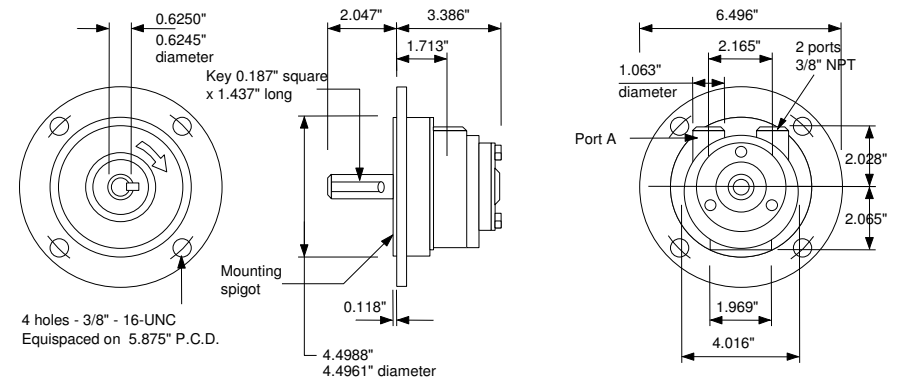
## Main dimensions VS2C



- » Maximum temperature -20°C to +60°C (-4°F to +140°F)
- » Silencer supplied with motor
- » Max. Overhung Force on shaft 400 N (90 lbf.)
- » Axial loads should be kept to a minimum
- » Mass 4.40 kg

**Note: With air inlet at port 'A', rotation is clockwise looking on shaft.  
For opposite rotation reverse ports.**

## Main dimensions VA2C

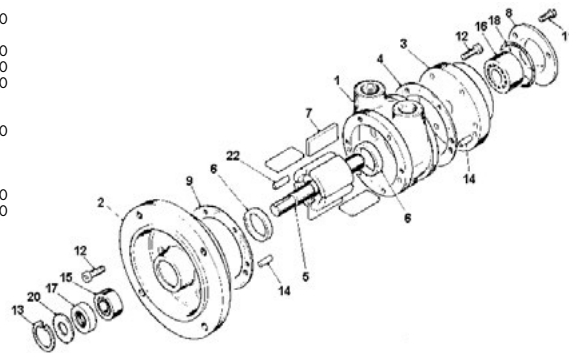


- » Maximum temperature -20°C to +60°C (-4°F to +140°F)
- » Silencer supplied with motor
- » Max. Overhung Force on shaft 400 N (90 lbf.)
- » Axial loads should be kept to a minimum
- » Mass 4.40 kg

**Note: With air inlet at port 'A', rotation is clockwise looking on shaft.  
For opposite rotation reverse ports.**

## Exploded view with spare parts list

Item	Part No.	Description	Qty	Kit No.
01	720-101	BSP Body	1	
02	740-035	Front Plate D71	1	
03	740-002	End Plate	1	
04	-	Gasket	2	729-910
05	720-920	Rotor Shaft Assy	1	
06	720-006	Ejection Ring	2	
07	-	Blades	4	729-910
08	740-008	Cover Plate	1	
09-1	-	Gasket	1	729-910
09-2	-	Gasket	1	729-910
09-3	-	Gasket	1	729-910
11	802-001	Screw	3	
12	809-007	Cap Screw	12	
13	-	Circlip	1	729-910
14	806-024	Dowel	4	
15	807-025	Bearing	1	
16	807-028	Bearing	1	
17	-	Oil Seal	1	729-910
18	-	O Ring	1	729-910
20	720-100	Seal Backing Ring	1	
22	811-027	Key	1	
	729-910	V2 Seal Kit		
	820-003	Silencer 3/8"	1	



## Exploded view with spare parts list

Item	Part No.	Description	Qty	Kit No.
01	720-001	NPT Body	1	
02	740-018	Front Plate NEMA 56C	1	
03	740-002	End Plate	1	
04	-	Gasket	2	729-910
05	720-910	Rotor Shaft Assy	1	
06	720-006	Ejection Ring	2	
07	-	Blades	4	729-910
08	740-008	Cover Plate	1	
09-1	-	Gasket	1	729-910
09-2	-	Gasket	1	729-910
09-3	-	Gasket	1	729-910
11	802-001	Screw	3	
12	809-007	Cap Screw	12	
13	-	Circlip	1	729-910
14	806-024	Dowel	4	
15	807-025	Bearing	1	
16	807-028	Bearing	1	
17	-	Oil Seal	1	729-910
18	-	O Ring	1	729-910
20	720-100	Seal Backing Ring	1	
	811-020	Key	1	
	729-910	V2 Seal Kit		
	820-003	Silencer 3/8"	1	

