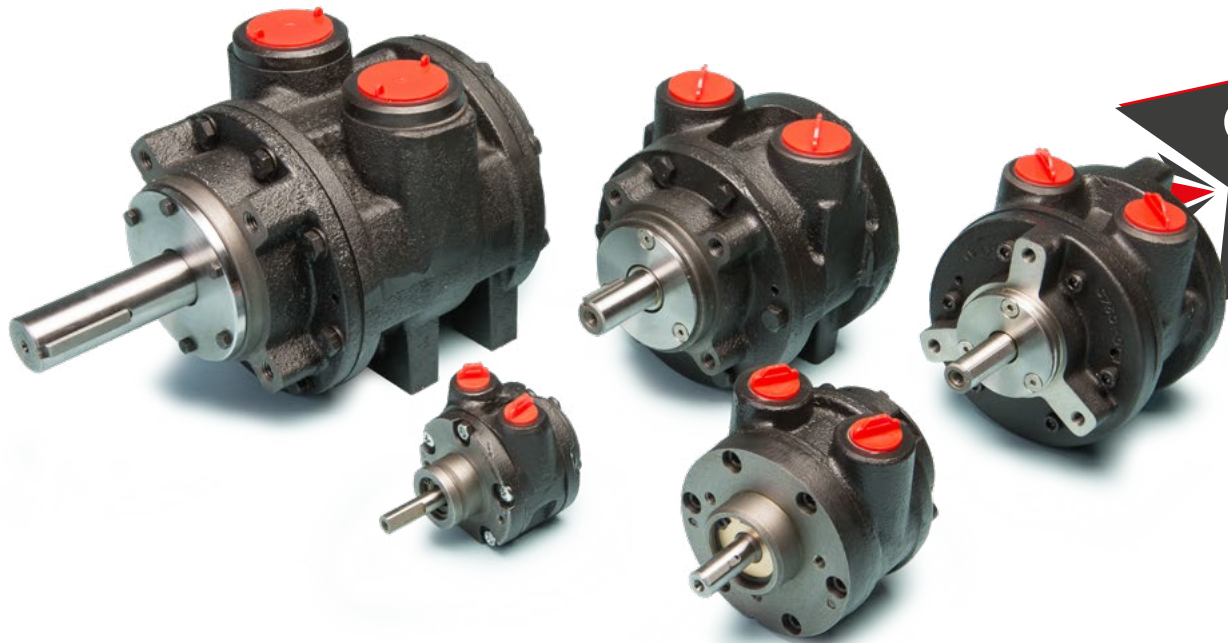




**GLOBE** AIRMOTORS B.V.


GLOBE Airmotors | Boerhaaveweg 9-11 | NL - 2408 AD Alphen a/d Rijn | Tel +31 172 426 608 | info@globe-benelux.nl

**Specifications: VA4J&X | VS4C | VA4C**  
Vane Air Motor

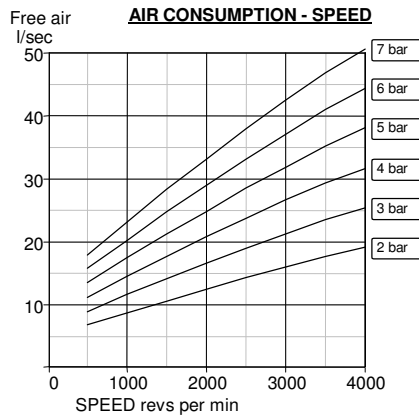
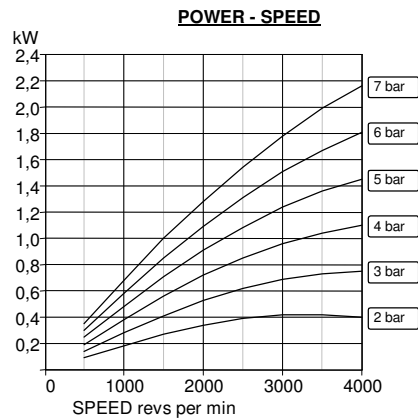
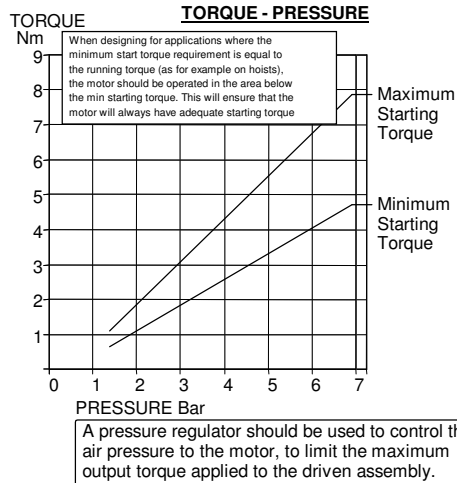
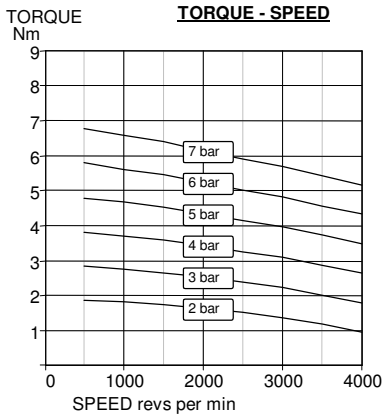


Order your  
**VANE AIR MOTOR:**  
[info@globe-benelux.nl](mailto:info@globe-benelux.nl)

<b>Contents</b>	
Performance	2
Main dimensions VA4J&X	2
Main dimensions VS4C	3
Main dimensions VA4C	3

CE  II 2G Ex h IIC T4 Gb  
II 2D Ex h IIIIC T135°C Db  
Ta = - 20° + 60°C

# Performance VA4J&X | VS4C | VA4C



- » Silencer supplied with motor.
- » Motor is reversible.
- » Maximum temperature -20°C to +60°C (-4°F to +140°F).
- » Maximum temperature for non ATEX applications: -20°C to +80°C (-4°F to +176°F).

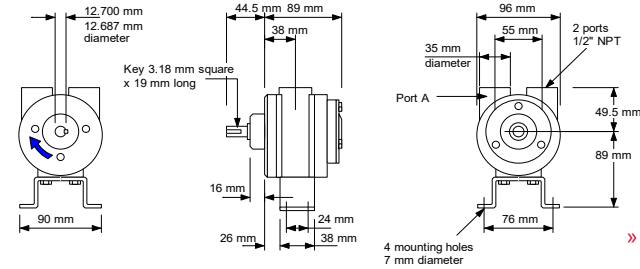
**Air supply lubrication and filtration:**  
Use 64 micron filtration or better. Choose a

lubricator suitable for the flow required. Prior to initial startup, inject oil into the inlet port. Lubricator drop rate 4-5 drop / minute continuous operations  
Lubricator drop rate 9-12 drop / minute intermittent operation.

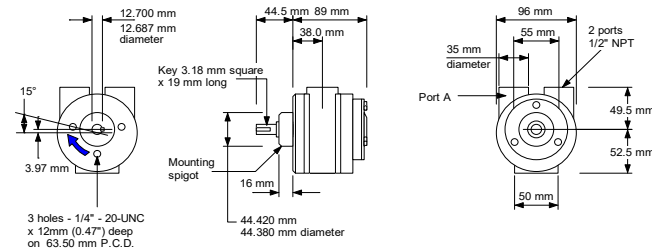
**Maximum speed 4000 rpm**  
Life time depends highly on operational speed and air pressure.

# Main dimensions VA4J&X

## VA4J



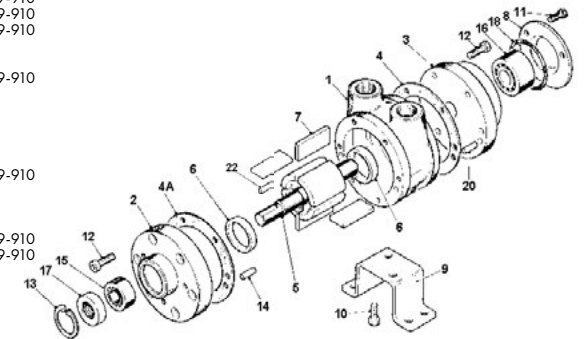
## VA4X



**Note: With air inlet at port 'A', rotation is clockwise looking on shaft.  
For opposite rotation reverse ports.**

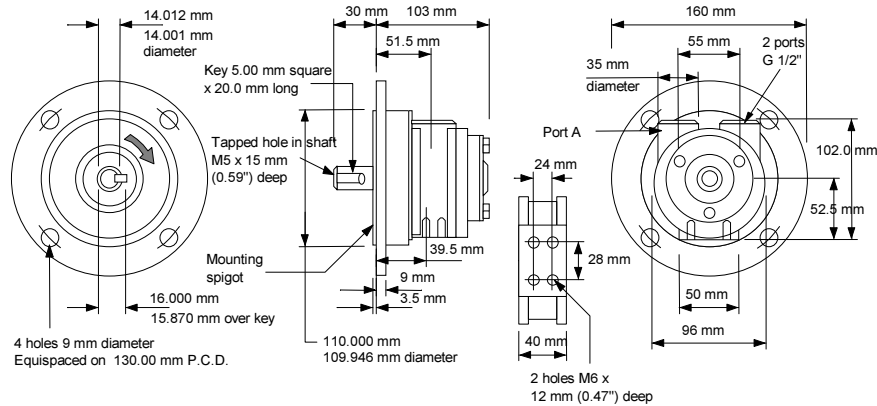
# Exploded view with spare parts list

Item	Part No.	Description	Qty	Kit No.
01	740-001	NPT Body	1	
02	740-003	Front Plate	1	
03	740-002	End Plate	1	
04	-	Gasket	2	749-910
04 A-1	-	Gasket	1	749-910
04 A-2	-	Gasket	1	749-910
04 A-3	-	Gasket	1	749-910
05	740-911	Rotor Shaft Assy	1	
06	740-006	Ejection Ring	2	
07	-	Blades	4	749-910
08	740-008	Cover Plate	1	
09	740-023	Foot	1	
10	802-001	Screw	3	
11	802-011	Screw	4	
12	809-007	Cap Screw	12	
13	-	Circlip	1	749-910
14	806-024	Dowel	2	
15	807-027	Bearing	1	
16	807-028	Bearing	1	
17	-	Oil Seal	1	749-910
18	-	O Ring	1	749-910
20	806-032	Dowel	2	
22	811-023	Key	1	
	749-910	V4 Seal Kit		
	820-004	Silencer 1/2"	1	



- » Maximum temperature -20°C to +60°C (-4°F to +140°F)
- » Silencer supplied with motor
- » Max. Overhung Force on shaft 170 N (40 lbf.)
- » Axial loads should be kept to a minimum
- » Mass 3.80 kg

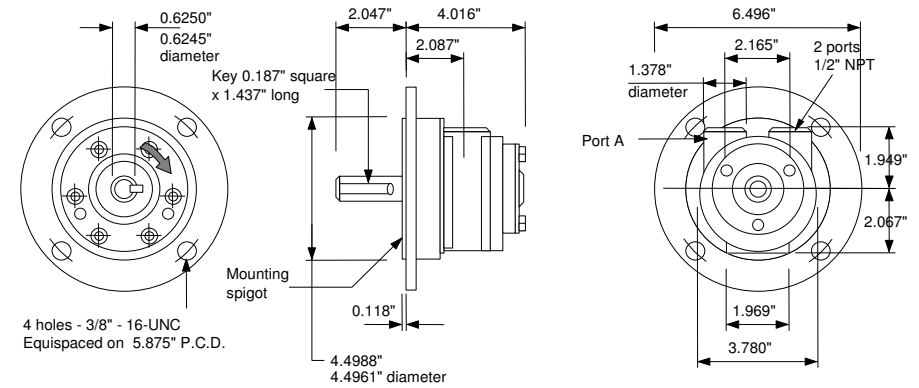
## Main dimensions VS4C



- » Maximum temperature -20°C to +60°C (-4°F to +140°F)
- » Silencer supplied with motor
- » Max. Overhung Force on shaft 170 N (40 lbf.)
- » Axial loads should be kept to a minimum
- » Mass 8 kg

Note: With air inlet at port 'A', rotation is clockwise looking on shaft.  
For opposite rotation reverse ports.

## Main dimensions VA4C

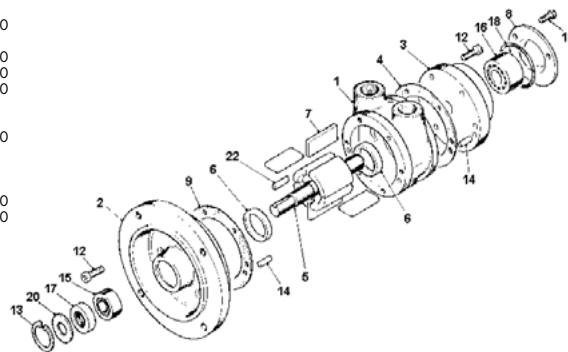


- » Maximum temperature -20°C to +60°C (-4°F to +140°F)
- » Silencer supplied with motor
- » Max. Overhung Force on shaft 170 N (40 lbf.)
- » Axial loads should be kept to a minimum
- » Mass 3.30 kg

Note: With air inlet at port 'A', rotation is clockwise looking on shaft.  
For opposite rotation reverse ports.

## Exploded view with spare parts list

Item	Part No.	Description	Qty	Kit No.
01	740-101	BSP Body	1	
02	740-035	Front Plate D71	1	
03	740-002	End Plate	1	
04	-	Gasket	2	749-910
05	740-920	Rotor Shaft Assy	1	
06	740-006	Ejection Ring	2	
07	-	Blades	4	749-910
08	740-008	Cover Plate	1	
09-1	-	Gasket	1	749-910
09-2	-	Gasket	1	749-910
09-3	-	Gasket	1	749-910
11	802-001	Screw	3	
12	809-007	Cap Screw	12	
13	-	Circlip	1	749-910
14	806-024	Dowel	4	
15	807-025	Bearing	1	
16	807-028	Bearing	1	
17	-	Oil Seal	1	749-910
18	-	O Ring	1	749-910
20	720-100	Seal Backing Ring	1	
21	811-027	Key	1	
22	749-910	V4 Seal Kit	1	
	820-004	Silencer 1/2"	1	



## Exploded view with spare parts list

Item	Part No.	Description	Qty	Kit No.
01	740-001	NPT Body	1	
02	740-018	Front Plate NEMA 56C	1	
03	740-002	End Plate	1	
04	-	Gasket	2	749-910
05	740-910	Rotor Shaft Assy	1	
06	740-006	Ejection Ring	2	
07	-	Blades	4	749-910
08	740-008	Cover Plate	1	
09-1	-	Gasket	1	749-910
09-2	-	Gasket	1	749-910
09-3	-	Gasket	1	749-910
11	802-001	Screw	3	
12	809-007	Cap Screw	12	
13	-	Circlip	1	749-910
14	806-024	Dowel	4	
15	807-025	Bearing	1	
16	807-028	Bearing	1	
17	-	Oil Seal	1	749-910
18	-	O Ring	1	749-910
20	720-100	Seal Backing Ring	1	
21	811-020	Key	1	
22	749-910	V4 Seal Kit	1	
	820-004	Silencer 1/2"	1	

