



GLOBE AIRMOTORS B.V.

GLOBE Airmotors | Boerhaaveweg 9-11 | NL - 2408 AD Alphen a/d Rijn | Tel +31 172 426 608 | info@globe-benelux.nl

Specifications: VA6J&X | VS6C | VA6C

Vane Air Motor




Order your

VANE AIR MOTOR:

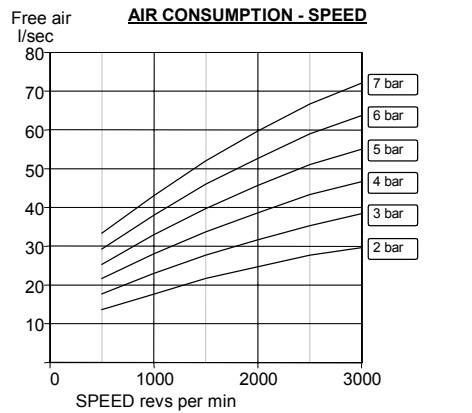
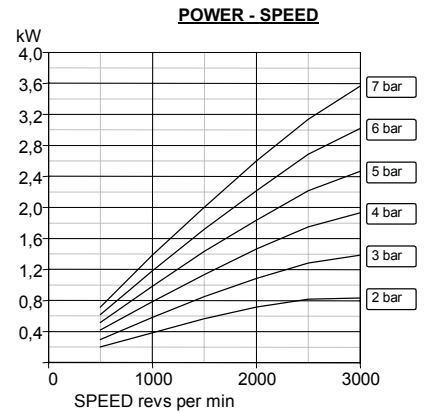
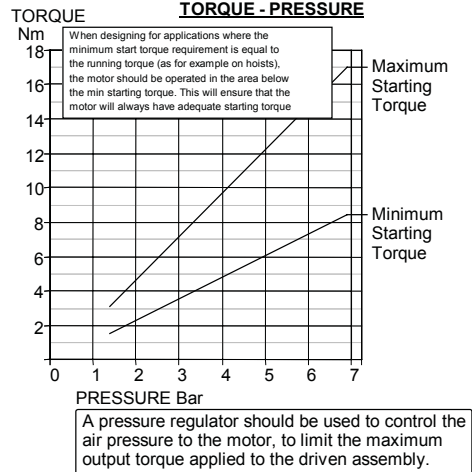
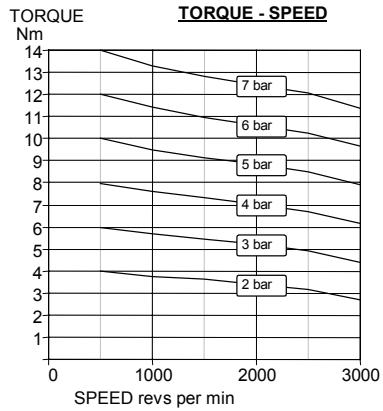
info@globe-benelux.nl

Contents

Performance	2
Main dimensions VA6J&X	2
Main dimensions VS6C	3
Main dimensions VA6C	3

CE  II 2G Ex h IIC T4 Gb
II 2D Ex h IIIC T135°C Db
Ta = - 20° + 60°C

Performance VA6J&X | VS6C | VA6C



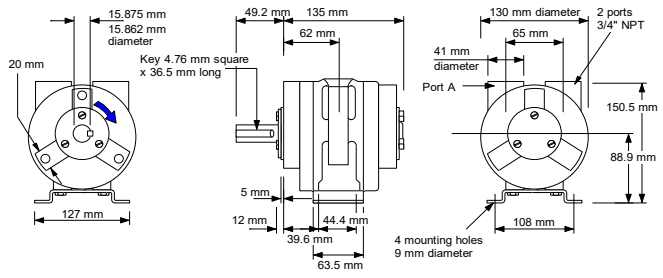
- » Silencer supplied with motor.
- » Motor is reversible.
- » Maximum temperature ATEX -20°C to +60°C (-4°F to +140°F).
- » Maximum temperature for non ATEX applications: -20°C to +80°C (-4°F to +176°F).

Air supply lubrication and filtration:
Use 64 micron filtration or better. Choose a

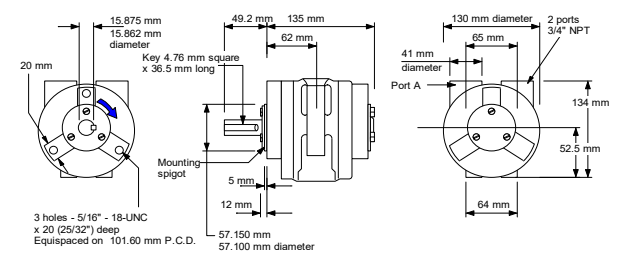
lubricator suitable for the flow required. Prior to initial startup, inject oil into the inlet port. Lubricator drop rate 5-6 drop / minute continuous operations
Lubricator drop rate 10-12 drop / minute intermittent operation.

Maximum speed 3000 rpm
Life time depends highly on operational speed and air pressure.

Main dimensions VA6J&X VA6J



VA6X

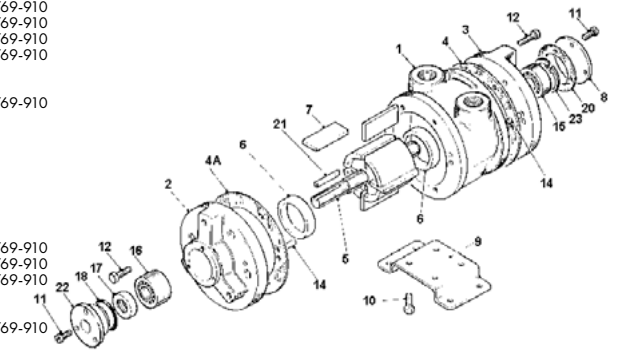


- » Maximum temperature -20°C to +60°C (-4°F to +140°F)
- » Silencer supplied with motor
- » Max. Overhung Force on shaft 300 N (70 lbf.)
- » Axial loads should be kept to a minimum
- » Mass 7.6 kg

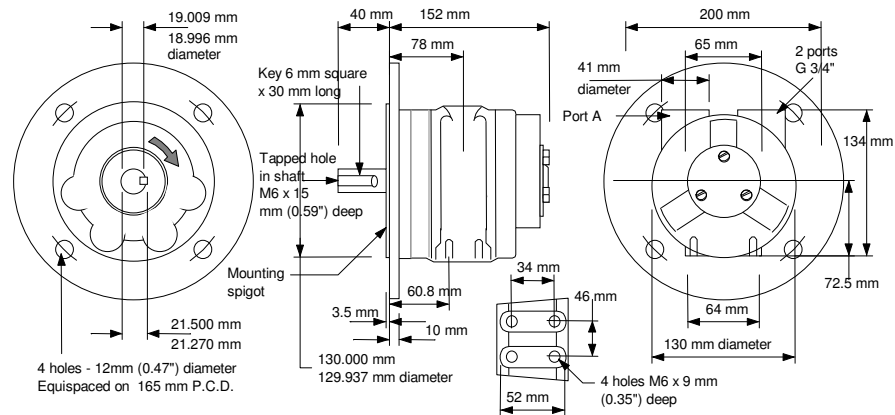
Note: With air inlet at port 'A', rotation is clockwise looking on shaft. For opposite rotation reverse ports.

Exploded view with spare parts list

Item	Part No.	Description	Qty	Kit No.
01	760-001	NPT Body	1	
02	760-003	Front Plate	1	
03	760-002	End Plate	1	
04	-	Gasket	2	769-910
04 A-1	-	Gasket	1	769-910
04 A-2	-	Gasket	1	769-910
04 A-3	-	Gasket	1	769-910
05	760-911	Rotor Shaft Assy	1	
06	760-006	Ejection Ring	2	
07	-	Blades	4	769-910
08	760-008	Cover Plate	1	
09	760-023	Foot	1	
10	802-012	Screw	4	
11	805-006	Screw	6	
12	809-009	Cap Screw	12	
14	806-024	Dowel	4	
15	807-025	Bearing	1	
16	807-028	Bearing	1	
17	-	Oil Seal	1	769-910
18	-	O Ring	1	769-910
20	-	Gasket	1	769-910
21	811-020	Key	1	
22	760-007	Seal Housing	1	
23	-	Circlip	1	769-910
	769-910	V6 Seal Kit	1	
	820-004	Silencer 3/4"	1	



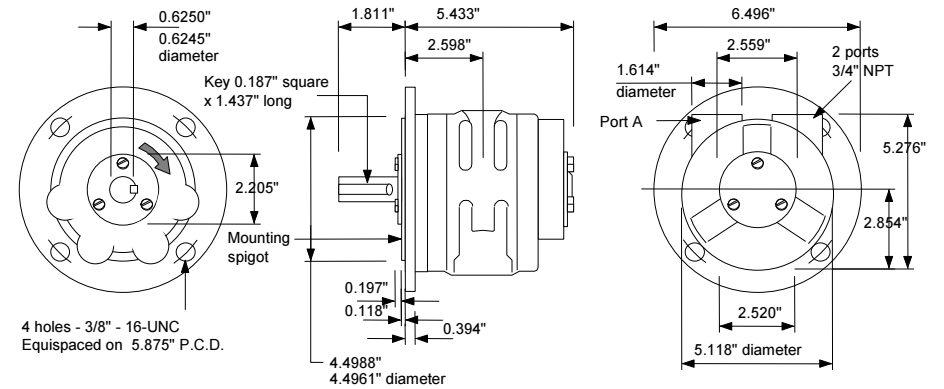
Main dimensions VS6C



- » Maximum temperature -20°C to +60°C (-4°F to +140°F)
- » Silencer supplied with motor
- » Max. Overhung Force on shaft 300 N (70 lbf.)
- » Axial loads should be kept to a minimum
- » Mass 10 kg

Note: With air inlet at port 'A', rotation is clockwise looking on shaft.
For opposite rotation reverse ports.

Main dimensions VA6C

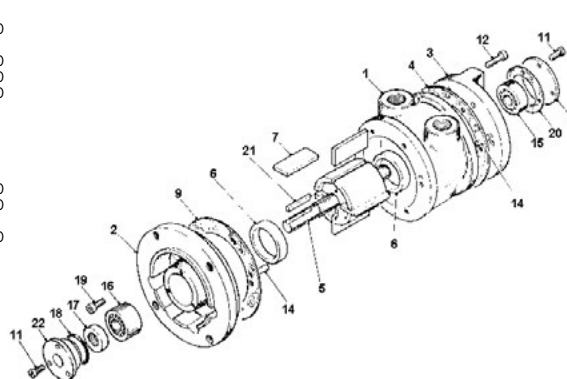


- » Maximum temperature -20°C to +60°C (-4°F to +140°F)
- » Silencer supplied with motor
- » Max. Overhung Force on shaft 300 N (70 lbf.)
- » Axial loads should be kept to a minimum
- » Mass 10 kg

Note: With air inlet at port 'A', rotation is clockwise looking on shaft.
For opposite rotation reverse ports.

Exploded view with spare parts list

Item	Part No.	Description	Qty	Kit No.
01	760-101	BSP Body	1	
02	760-036	Front Plate D80	1	
03	760-002	End Plate	1	
04	-	Gasket	2	769-910
05	760-921	Rotor Shaft Assy	1	
06	760-006	Ejection Ring	2	769-910
07	-	Blades	4	769-910
08	760-008	Cover Plate	1	
09-1	-	Gasket	1	769-910
09-2	-	Gasket	1	769-910
09-3	-	Gasket	1	769-910
11	805-006	Screw	6	
12	809-009	Cap Screw	6	
14	806-024	Dowel	4	
15	807-025	Bearing	1	
16	807-026	Bearing	1	
17	-	Oil Seal	1	769-910
18	-	O Ring	1	769-910
19	809-007	Capscrew	6	
20	-	Gasket	1	769-910
21	811-001	Key	1	
22	780-007	Seal Housing	1	
	769-910	V6 Seal Kit		
	820-004	Silencer 3/4"	1	



Exploded view with spare parts list

Item	Part No.	Description	Qty	Kit No.
01	760-001	NPT Body	1	
02	760-018	Front Plate NEMA 56C	1	
03	760-002	End Plate	1	
04	-	Gasket	2	769-910
05	760-910	Rotor Shaft Assy	1	
06	760-006	Ejection Ring	2	769-910
07	-	Blades	4	769-910
08	760-008	Cover Plate	1	
09-1	-	Gasket	1	769-910
09-2	-	Gasket	1	769-910
09-3	-	Gasket	1	769-910
11	805-006	Screw	6	
12	809-009	Cap Screw	6	
14	806-024	Dowel	4	
15	807-025	Bearing	1	
16	807-026	Bearing	1	
17	-	Oil Seal	1	769-910
18	-	O Ring	1	769-910
19	809-007	Capscrew	6	
20	-	Gasket	1	769-910
21	811-020	Key	1	
22	760-017	Seal Housing	1	
	769-910	V6 Seal Kit		
	820-005	Silencer 3/4"	1	

