



GLOBE AIRMOTORS B.V.

GLOBE Airmotors | Boerhaaveweg 9-11 | NL - 2408 AD Alphen a/d Rijn | Tel +31 172 426 608 | info@globe-benelux.nl

Specifications: VA8J&X | VS8C | VA8C

Vane Air Motor




Order your

VANE AIR MOTOR:

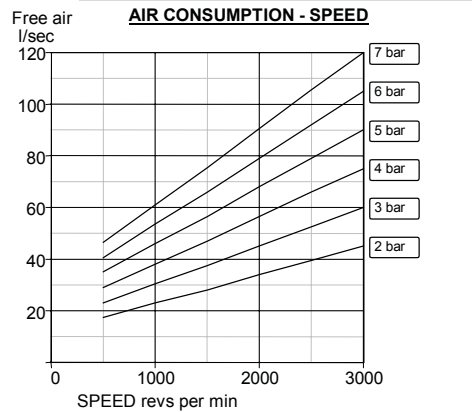
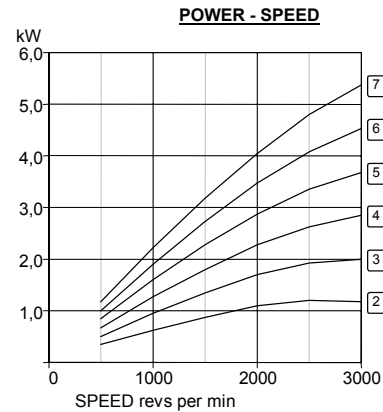
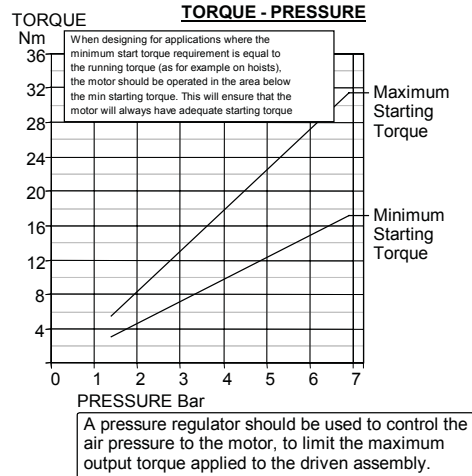
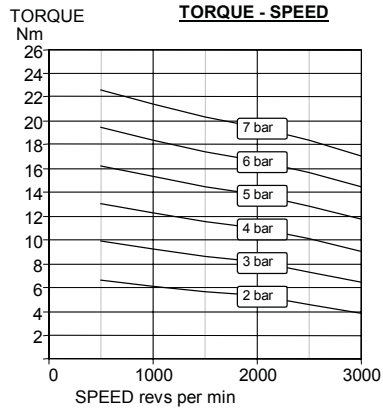
info@globe-benelux.nl

Contents

| | |
|------------------------|---|
| Performance | 2 |
| Main dimensions VA8J&X | 2 |
| Main dimensions VS8C | 3 |
| Main dimensions VA8C | 3 |

CE  II 2G Ex h IIC T4 Gb
II 2D Ex h IIIIC T135°C Db
Ta = - 20° + 60°C

Performance VA8J&X | VS8C | VA8C



- » Silencer supplied with motor.
- » Motor is reversible.
- » Maximum temperature ATEX -20°C to +60°C (-4°F to +140°F).
- » Maximum temperature for non ATEX applications: -20°C to +80°C (-4°F to +176°F).

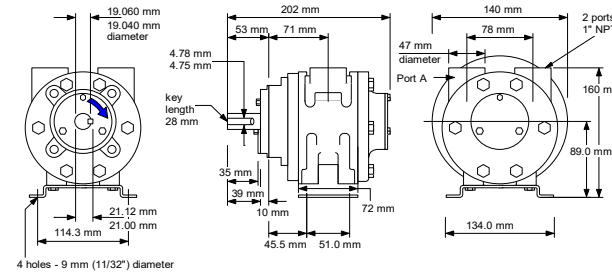
Air supply lubrication and filtration:
Use 64 micron filtration or better. Choose a

lubricator suitable for the flow required. Prior to initial startup, inject oil into the inlet port. Lubricator drop rate 6-7 drop / minute continuous operations
Lubricator drop rate 12-15 drop / minute intermittent operation.

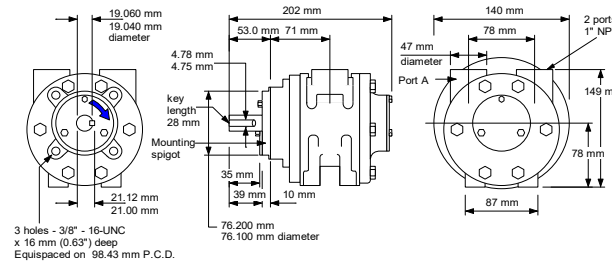
Maximum speed 3000 rpm
Life time depends highly on operational speed and air pressure.

Main dimensions VA8J&X

VA8J



VA8X

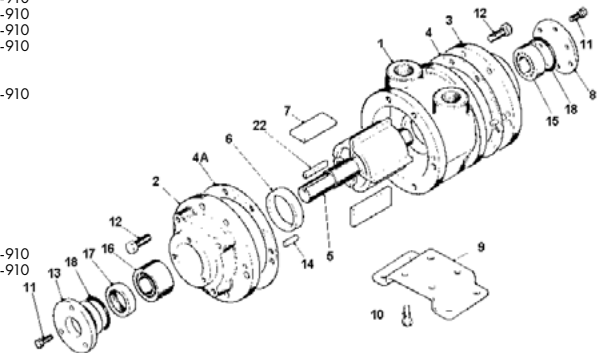


- » Maximum temperature -20°C to +60°C (-4°F to +140°F)
- » Silencer supplied with motor
- » Max. Overhung Force on shaft 620 N (140 lbf.)
- » Axial loads should be kept to a minimum
- » Mass 11.1 kg

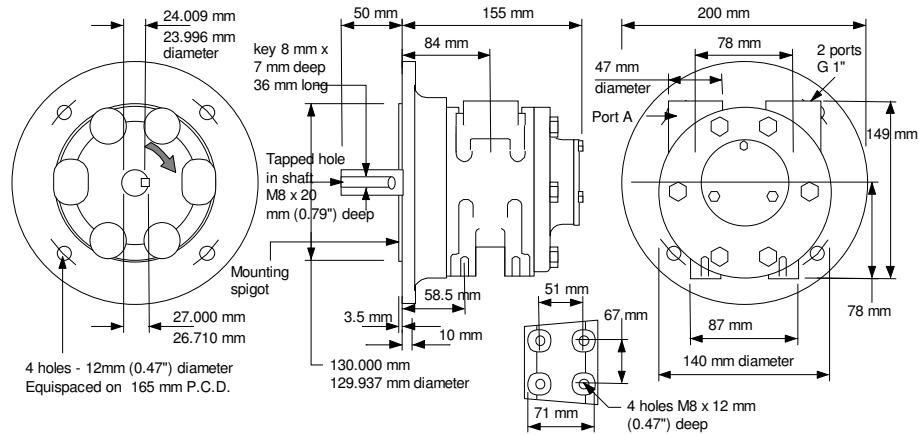
Note: With air inlet at port 'A', rotation is clockwise looking on shaft. For opposite rotation reverse ports.

Exploded view with spare parts list

| Item | Part No. | Description | Qty | Kit No. |
|--------|----------|------------------|-----|---------|
| 01 | 780-001 | NPT Body | 1 | |
| 02 | 780-003 | Front Plate | 1 | |
| 03 | 780-002 | End Plate | 1 | |
| 04 | - | Gasket | 2 | 789-910 |
| 04 A-1 | - | Gasket | 1 | 789-910 |
| 04 A-2 | - | Gasket | 1 | 789-910 |
| 04 A-3 | - | Gasket | 1 | 789-910 |
| 05 | 780-911 | Rotor Shaft Assy | 1 | |
| 06 | 780-006 | Ejection Ring | 2 | |
| 07 | - | Blades | 4 | 789-910 |
| 08 | 740-008 | Cover Plate | 1 | |
| 09 | 780-023 | Foot | 1 | |
| 10 | 809-026 | Capscrew | 4 | |
| 11 | 802-001 | Screw | 6 | |
| 12 | 802-032 | Set Screw | 12 | |
| 13 | 780-007 | Seal Housing | 1 | |
| 14 | 806-024 | Dowel | 4 | |
| 15 | 807-026 | Bearing | 1 | |
| 16 | 807-036 | Bearing | 1 | |
| 17 | - | Oil Seal | 1 | 789-910 |
| 18 | - | O Ring | 2 | 789-910 |
| 22 | 811-021 | Key | 1 | |
| | 789-910 | V8 Seal Kit | | |
| | 820-006 | Silencer 1" | 1 | |



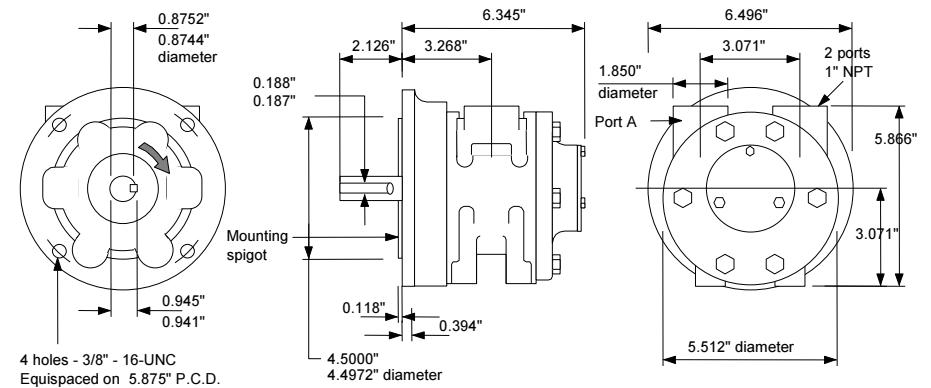
Main dimensions VS8C



- » Maximum temperature -20°C to +60°C (-4°F to +140°F)
- » Silencer supplied with motor
- » Max. Overhung Force on shaft 620 N (140 lbf.)
- » Axial loads should be kept to a minimum
- » Mass 12.2 kg

**Note: With air inlet at port 'A', rotation is clockwise looking on shaft.
For opposite rotation reverse ports.**

Main dimensions VA8C

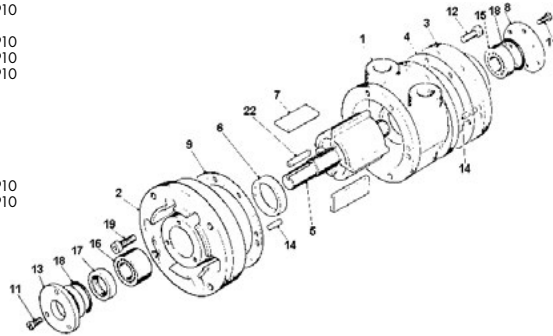


- » Maximum temperature -20°C to +60°C (-4°F to +140°F)
- » Silencer supplied with motor
- » Max. Overhung Force on shaft 620 N (140 lbf.)
- » Axial loads should be kept to a minimum
- » Mass 11.8 kg

**Note: With air inlet at port 'A', rotation is clockwise looking on shaft.
For opposite rotation reverse ports.**

Exploded view with spare parts list

| Item | Part No. | Description | Qty | Kit No. |
|------|----------|------------------|-----|---------|
| 01 | 780-101 | BSP Body | 1 | |
| 02 | 780-036 | Front Plate D90 | 1 | |
| 03 | 780-002 | End Plate | 1 | |
| 04 | - | Gasket | 2 | 789-910 |
| 05 | 780-922 | Rotor Shaft Assy | 1 | |
| 06 | 780-006 | Ejection Ring | 2 | 789-910 |
| 07 | - | Blades | 4 | 789-910 |
| 08 | 740-008 | Cover Plate | 1 | |
| 09-1 | - | Gasket | 1 | 789-910 |
| 09-2 | - | Gasket | 1 | 789-910 |
| 09-3 | - | Gasket | 1 | 789-910 |
| 11 | 802-001 | Screw | 6 | |
| 12 | 802-032 | Screw | 6 | |
| 13 | 780-007 | Seal Housing | 1 | |
| 14 | 806-024 | Dowel | 4 | |
| 15 | 807-026 | Bearing | 1 | |
| 16 | 807-036 | Bearing | 1 | |
| 17 | - | Oil Seal | 1 | 789-910 |
| 18 | - | O Ring | 2 | 789-910 |
| 19 | 809-007 | Capscrew | 6 | |
| 21 | 811-042 | Key | 1 | |
| | 789-910 | V8 Seal Kit | | |
| | 820-006 | Silencer 1" | 1 | |



Exploded view with spare parts list

| Item | Part No. | Description | Qty | Kit No. |
|------|----------|-------------------------|-----|---------|
| 01 | 780-001 | NPT Body | 1 | |
| 02 | 780-018 | Front Plate NEMA 145 TC | 1 | |
| 03 | 780-002 | End Plate | 1 | |
| 04 | - | Gasket | 2 | 789-910 |
| 05 | 780-910 | Rotor Shaft Assy | 1 | |
| 06 | 780-006 | Ejection Ring | 2 | 789-910 |
| 07 | - | Blades | 4 | 789-910 |
| 08 | 740-008 | Cover Plate | 1 | |
| 09-1 | - | Gasket | 1 | 789-910 |
| 09-2 | - | Gasket | 1 | 789-910 |
| 09-3 | - | Gasket | 1 | 789-910 |
| 11 | 802-001 | Screw | 6 | |
| 12 | 802-032 | Screw | 6 | |
| 13 | 780-007 | Seal Housing | 1 | |
| 14 | 806-024 | Dowel | 4 | |
| 15 | 807-026 | Bearing | 1 | |
| 16 | 807-036 | Bearing | 1 | |
| 17 | - | Oil Seal | 1 | 789-910 |
| 18 | - | O Ring | 2 | 789-910 |
| 19 | 809-030 | Screw | 6 | |
| 21 | 811-020 | Key | 1 | |
| | 789-910 | V8 Seal Kit | | |
| | 820-006 | Silencer 1" | 1 | |

