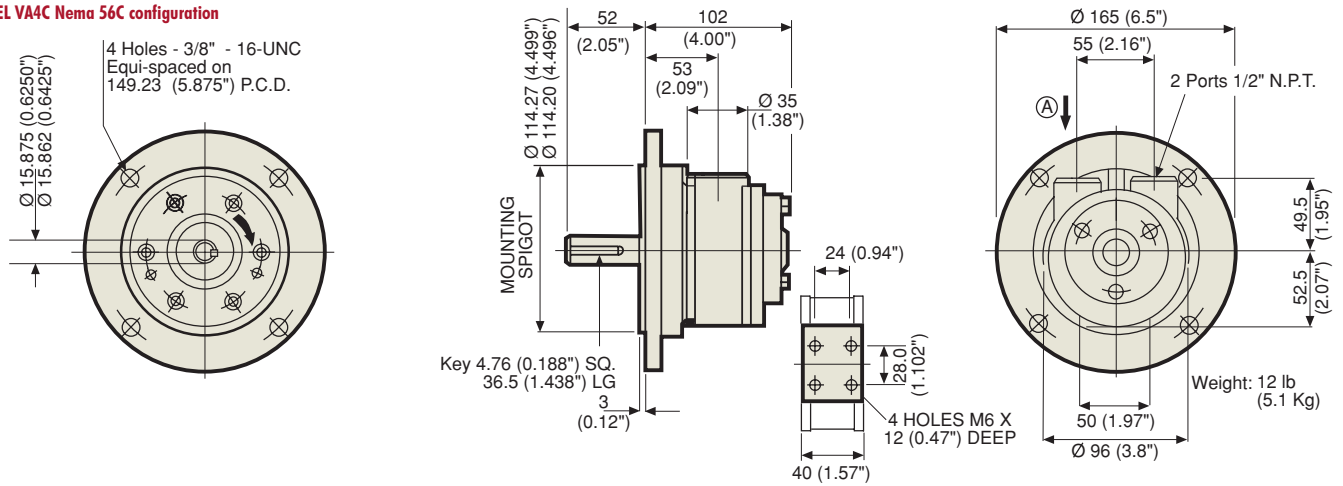


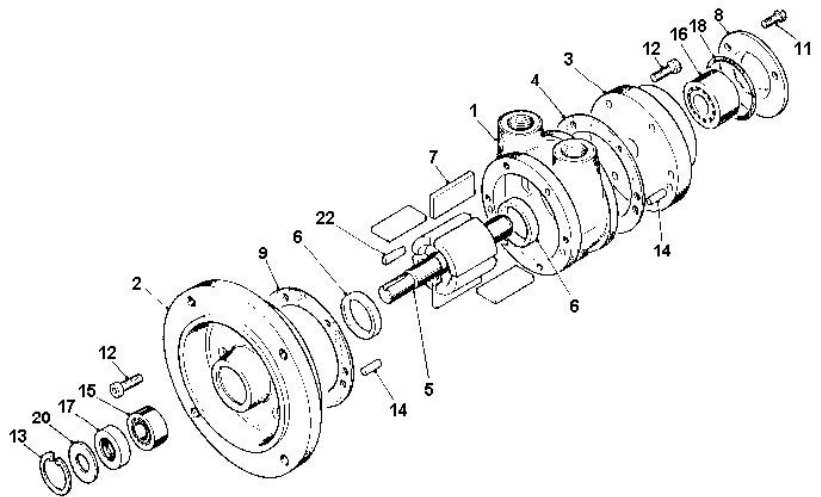
DIMENSIONS V4

MODEL VA4C Nema 56C configuration

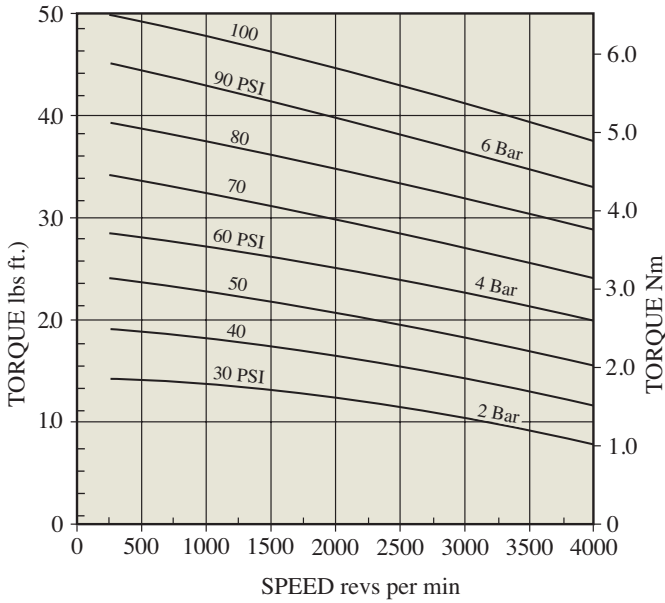


EXPLODED VIEW WITH SPARE PARTS LIST

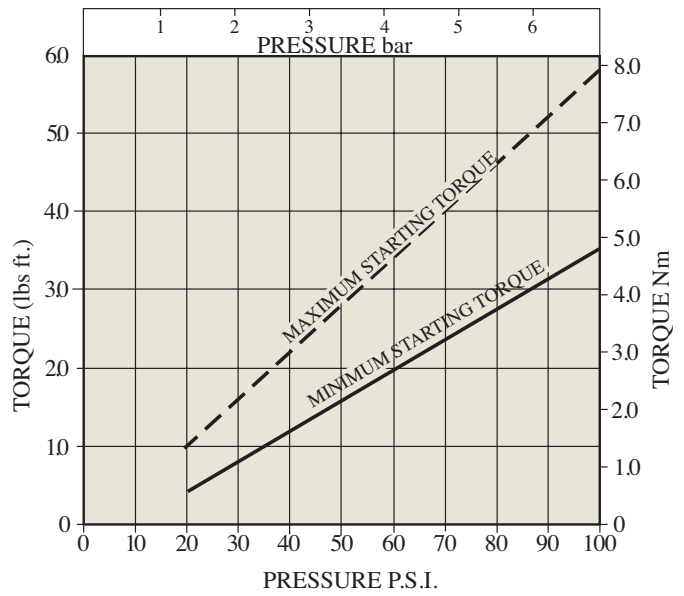
| Item | Part No. | Description | Qty | Kit No. |
|------|----------|-------------------|-----|---------|
| 01 | 740-001 | BSP Body | 1 | |
| 02 | 740-518 | Front Plate NEMA | 1 | |
| 03 | 740-002 | End Plate | 1 | |
| 04 | - | Gasket | 2 | 749-910 |
| 05 | 740-910 | Rotor Shaft Assy | 1 | |
| 06 | 740-006 | Ejection Ring | 2 | |
| 07 | - | Blades | 4 | 749-910 |
| 08 | 740-008 | Cover Plate | 1 | |
| 09-1 | - | Gasket | 1 | 749-910 |
| 09-2 | - | Gasket | 1 | 749-910 |
| 09-3 | - | Gasket | 1 | 749-910 |
| 11 | 802-001 | Screw | 3 | |
| 12 | 809-007 | Cap Screw | 12 | |
| 13 | - | Circlip | 1 | 749-910 |
| 14 | 806-024 | Dowel | 4 | |
| 15 | 807-025 | Bearing | 1 | |
| 16 | 807-028 | Bearing | 1 | |
| 17 | - | Oil Seal | 1 | 749-910 |
| 18 | - | O Ring | 1 | 749-910 |
| 20 | 720-100 | Seal Backing Ring | 1 | |
| 22 | 811-020 | Key | 1 | |
| | 749-910 | V4 Seal Kit | 1 | |
| | 820-024 | Silencer 1/2 BSP | 1 | |



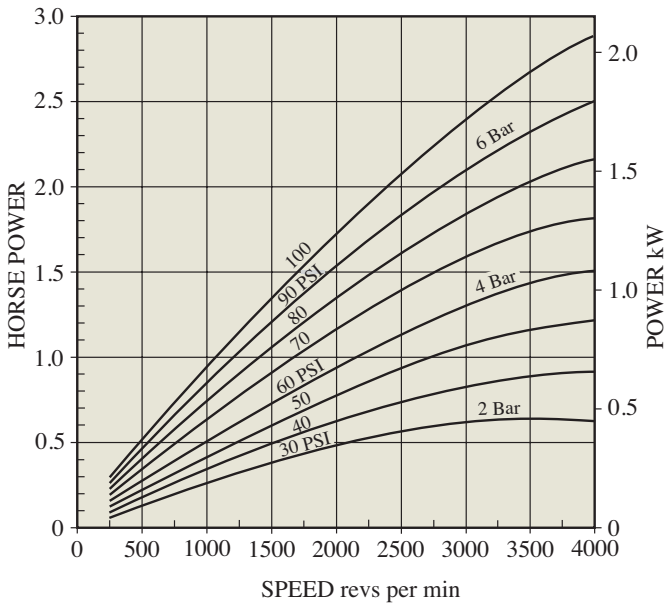
GRAPH 1 TORQUE - SPEED



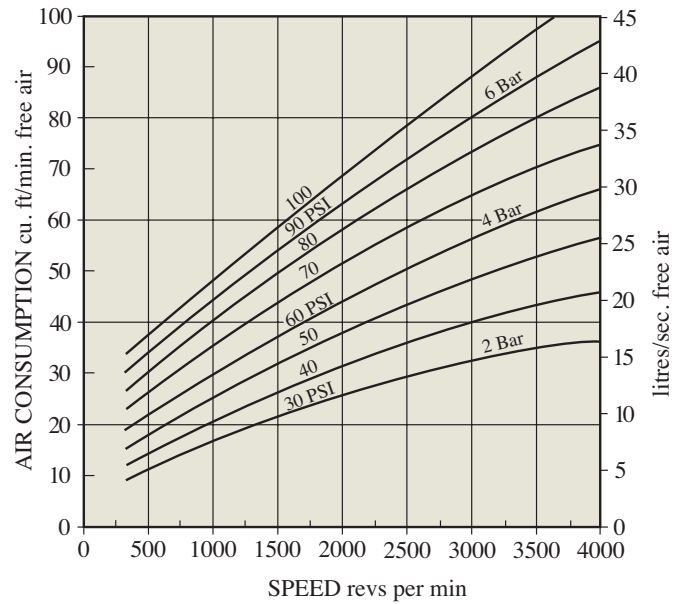
GRAPH 2 STARTING TORQUE - PRESSURE



GRAPH 3 POWER - SPEED



GRAPH 4 CONSUMPTION - SPEED



ATTITUDE:

The motor can be operated in all orientations.

AIRLINE FILTRATION AND LUBRICATION:

Use 64 micron filtration or better. Choose a lubricator suitable for the flow required. Prior to start up, inject oil into the inlet port.

LUBRICATOR DROP RATE:

4-5 drops per minute continuous operation.

9-12 drops per minute intermittent operation.

POLAR MOMENT OF INERTIA:

0.77 lb.ins² (0.226 g.m²).

MAXIMUM OVERHUNG FORCE ON SHAFT:

40 lbf (170N) In certain circumstances this may be extended. Consult your GLOBE Distributor. Axial loads should be kept down to a minimum.

MAXIMUM TEMPERATURES:

-40° to +176° Fahrenheit. (-20° to +80°C)