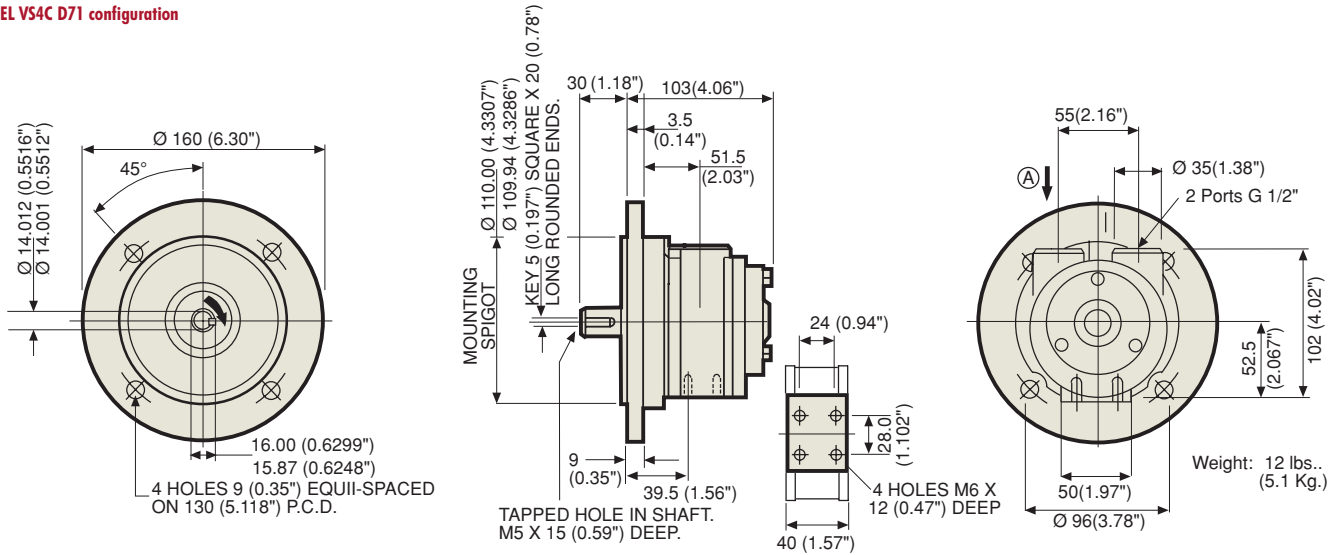


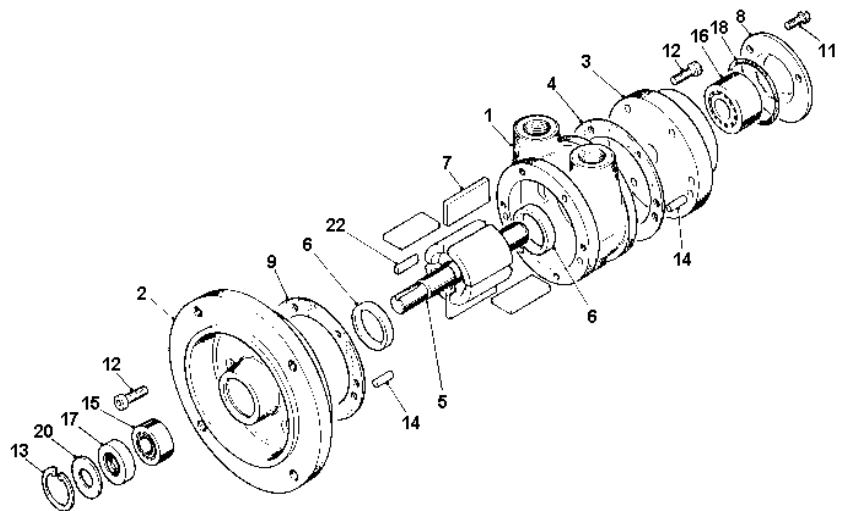
## DIMENSIONS V4

MODEL VS4C D71 configuration

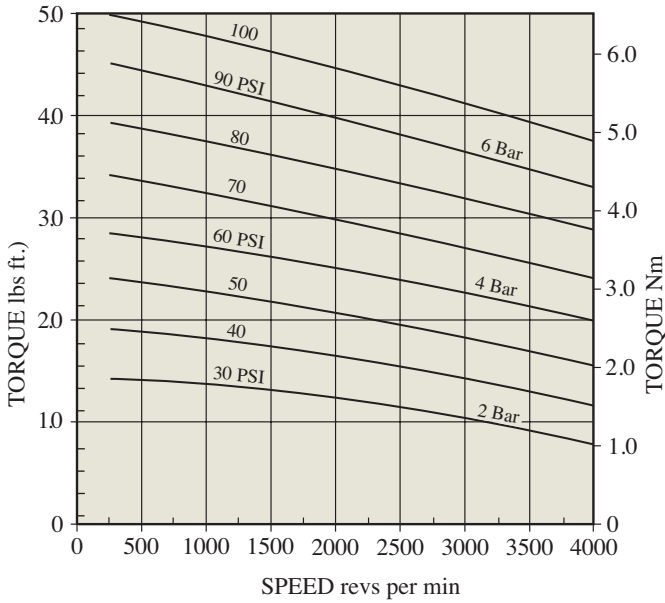


## EXPLODED VIEW WITH SPARE PARTS LIST

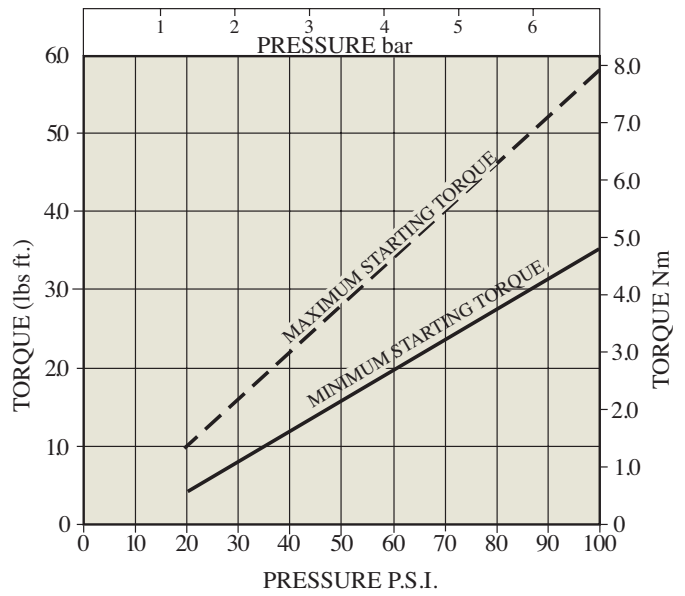
Item	Part No.	Description	Qty	Kit No.
01	740-101	Body BSP	1	
02	740-535	Front Plate D71	1	
03	740-002	End Plate	1	
04	-	Gasket	2	749-910
05	740-920	Rotor Shaft Assy	1	
06	740-006	Ejection Ring	2	
07	-	Blades	4	749-910
08	740-008	Cover Plate	1	
09-1	-	Gasket	1	749-910
09-2	-	Gasket	1	749-910
09-3	-	Gasket	1	749-910
11	802-001	Screw	3	
12	809-007	Cap Screw	12	
13	-	Circlip	1	749-910
14	806-024	Dowel	4	
15	807-025	Bearing	1	
16	807-028	Bearing	1	
17	-	Oil Seal	1	749-910
18	-	O Ring	1	749-910
20	720-100	Seal Backing Ring	1	
22	811-027	Key	1	
	749-910	V4 Seal Kit		
	820-004	Silencer 1/2 BSP	1	



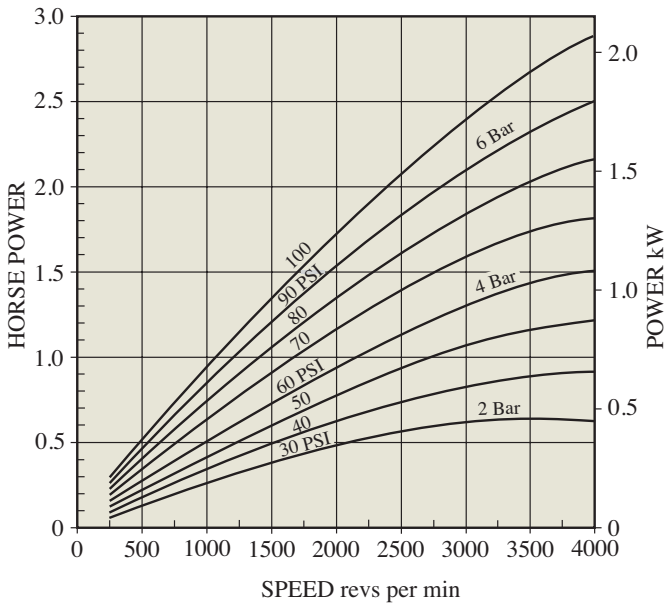
**GRAPH 1 TORQUE - SPEED**



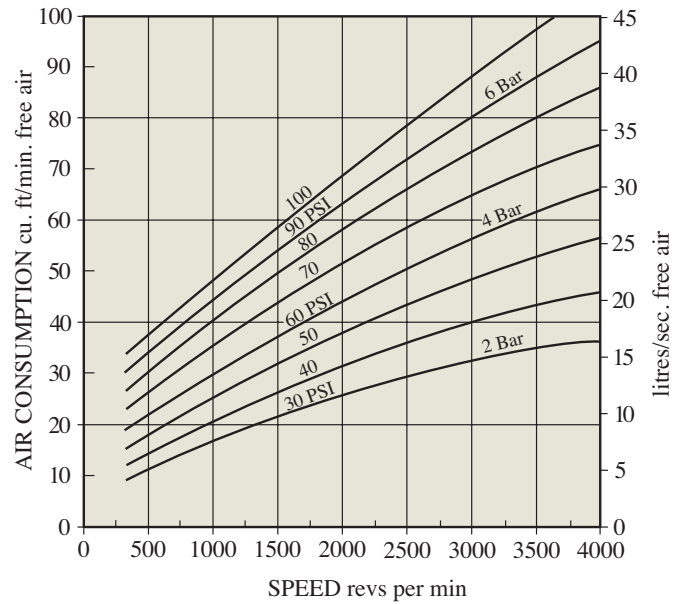
**GRAPH 2 STARTING TORQUE - PRESSURE**



**GRAPH 3 POWER - SPEED**



**GRAPH 4 CONSUMPTION - SPEED**



**ATTITUDE:**

The motor can be operated in all orientations.

**AIRLINE FILTRATION AND LUBRICATION:**

Use 64 micron filtration or better. Choose a lubricator suitable for the flow required. Prior to start up, inject oil into the inlet port.

**LUBRICATOR DROP RATE:**

4-5 drops per minute continuous operation.

9-12 drops per minute intermittent operation.

**POLAR MOMENT OF INERTIA:**

0.77 lb.ins<sup>2</sup> (0.226 g.m<sup>2</sup>).

**MAXIMUM OVERHUNG FORCE ON SHAFT:**

40 lbf (170N) In certain circumstances this may be extended. Consult your GLOBE Distributor. Axial loads should be kept down to a minimum.

**MAXIMUM TEMPERATURES:**

-40° to +176° Fahrenheit. (-20° to +80°C )