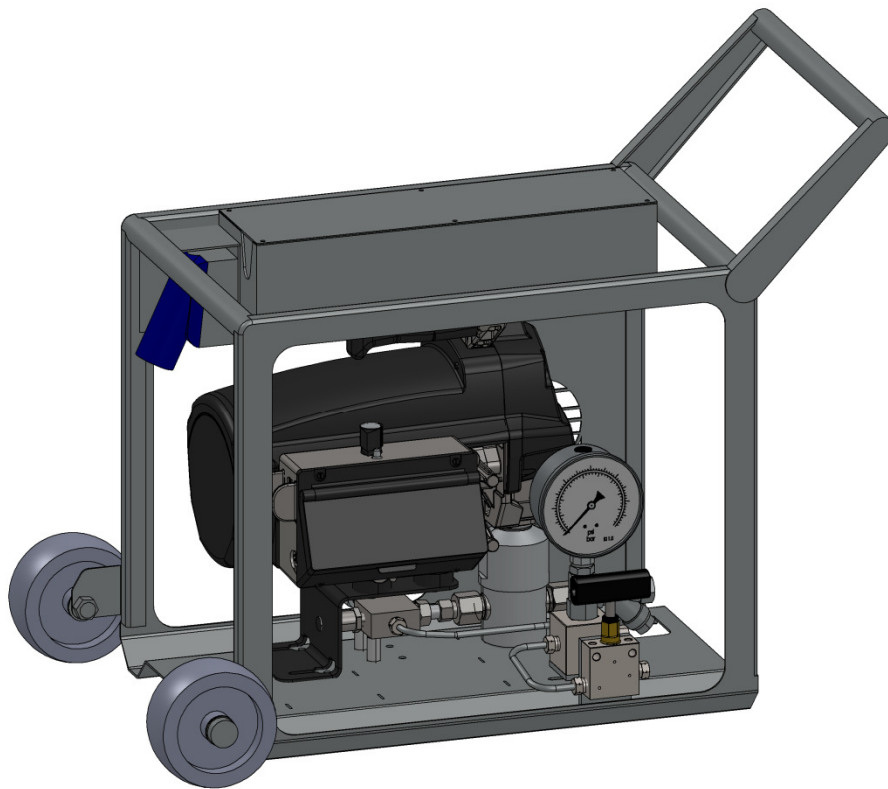




GLOBE TEST EQUIPMENT B.V.

EPU High Pressure System

High Pressure (until 2515 bar / 36.500psi)



Boerhaaveweg 9-11
2408 AD Alphen a/d Rijn
The Netherlands

Tel: +31 (0) 172 426 608
E-mail: info@globe-benelux.nl
Web: <http://www.globe-benelux.nl>

The GLOBE EPU is a revolutionary electrically driven high pressure system

The GLOBE EPU systems are specially designed for test pressures up to 2515 bar (36.500 psi). The eTensifier, which is built into our stainless steel frame, represents a new technology designed and patented by HiP.

The EPU system only has to be connected with electricity by simply plugging the eTensifier into the wall. You do not require an air compressor anymore. This very quiet electric motor can deliver pressure up to 2515 bar (36.500 psi).

The eTensifier incorporates an industry-first pressure test mode that allows you to set a defined pressure. After the defined pressure is set, the system will automatically increase the pressure until the set pressure has been reached.

Additionally the eTensifier features a quick-connect system that allows you to quickly exchange the fluid side of the pump without taking the complete pump out of commission. A very easy and effective way to perform routine maintenance on the system.

Features

- Up to 2515 bar (36,500 psi)
- No air compressor needed
- Plugs into wall outlet
- Designed for Global conditions
- Lightweight, portable unit
- Integral pressure transducer
- Smoother flow rate from zero to full pressure
- Electric motor quieter than air powered pumps
- Pressure also shown on Smart Control

Easy in use

- Pressure knob for standard jobs
- Pressure test mode – set it and forget it
- Cycle counter for routine maintenance planning
- Install a spare lower to finish your job
- Change size of pump lower in a flash

Delivered with

- Delivered with two years warranty
- Pump is CE Marked as part of company-wide commitment to world class quality



EPU High Pressure System Models

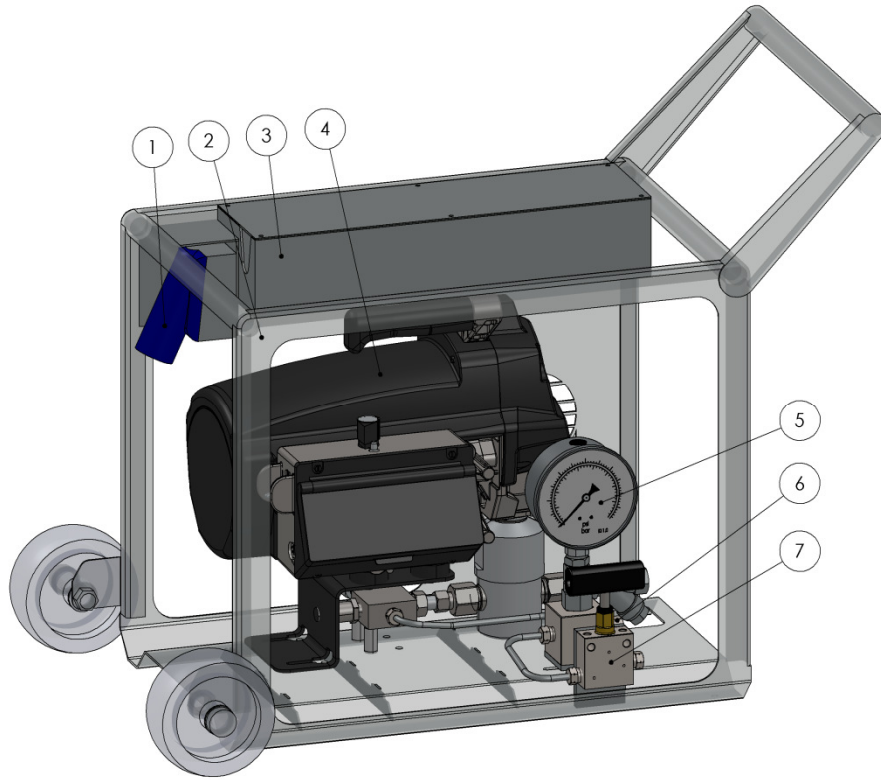
eTensifer Model	Maximum Pressure	Flow rate at Pressure
EPU 100	685 bar (10000 psi)	0.6 LPM
EPU 125	860 bar (12500 psi)	0.5 LPM
EPU 160	1100 bar (16000 psi)	0.4 LPM
EPU 237	1635 bar (23750 psi)	0.3 LPM
EPU 365	2515 bar (36500 psi)	0.2 LPM



Dimensions in mm

Length	Width	Height	Weight kg
620	360	420	approx. 30

Technical specifications



Parts/Construction

Item	Qty.	Description	Material
1	1	Industrial Plug CE marked	Plastic
2	1	eTensifier Frame	Stainless steel
3	1	Storage electrical cord	Stainless steel
4	1	eTensifier	
5	1	Pressure gauge	Stainless steel
6	1	Fluid inlet filter	Stainless steel
7	1	Pressure outlet connection 9/16-18" UNF Female	Stainless steel
8	1	Pressure release valve 9/16-18" UNF Female	Stainless steel